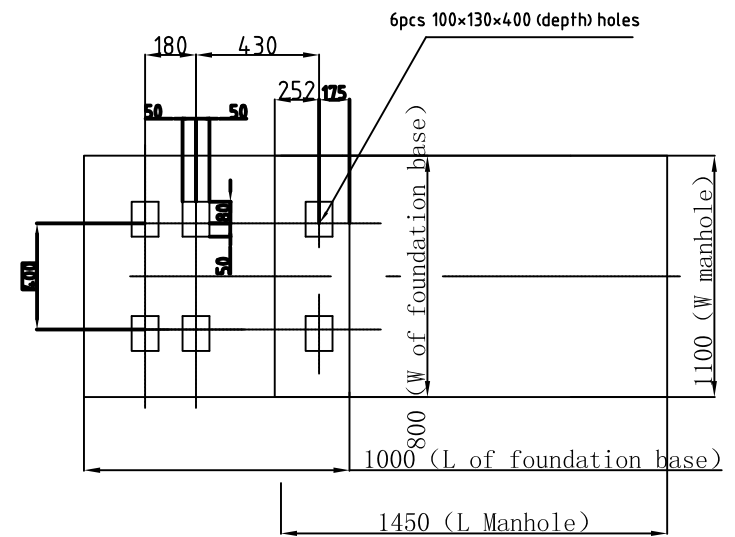
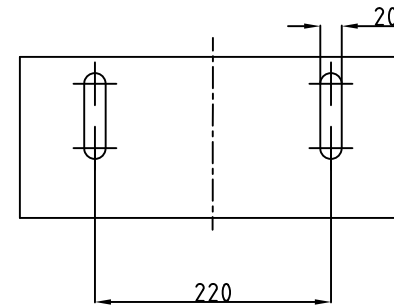


View F



DN300 Auto-coupling installation system for screw impeller pump