

# NOISE LEVEL - RLC、RWC TYPE

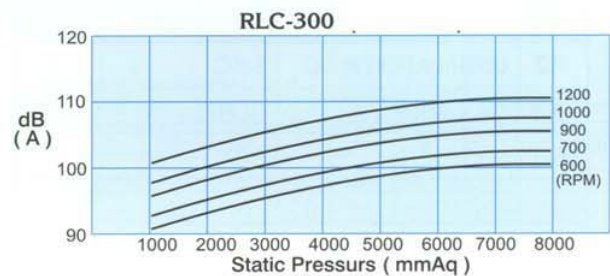
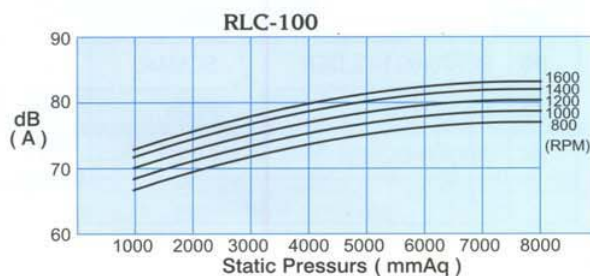
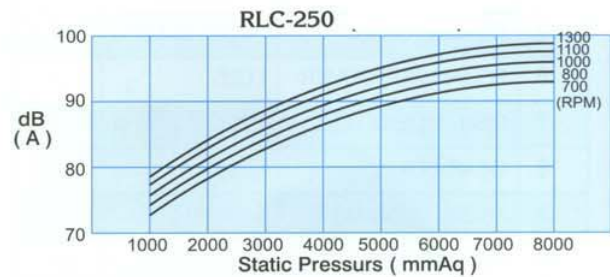
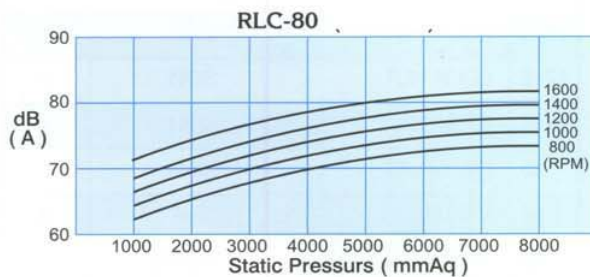
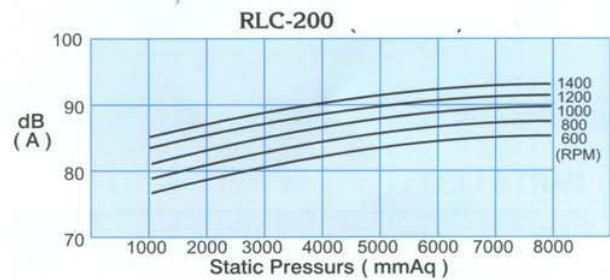
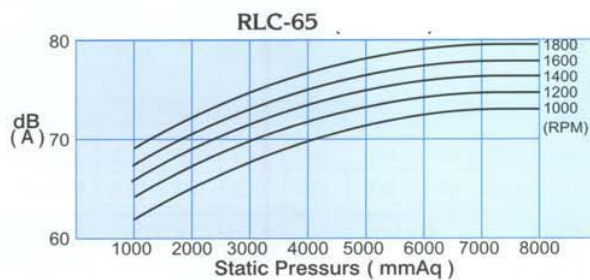
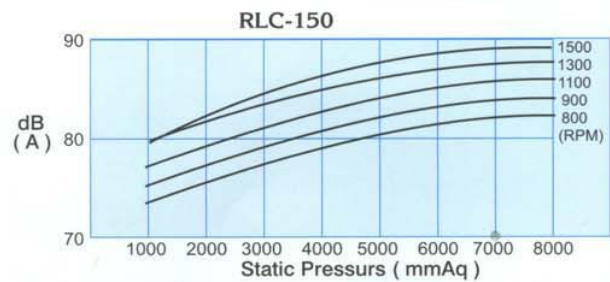
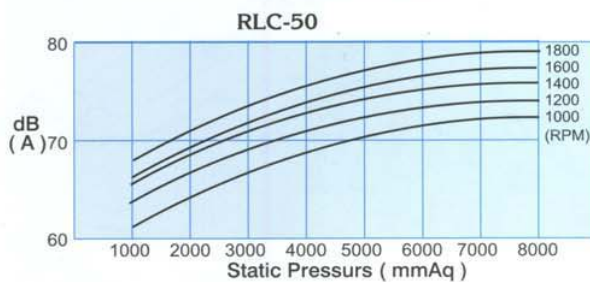
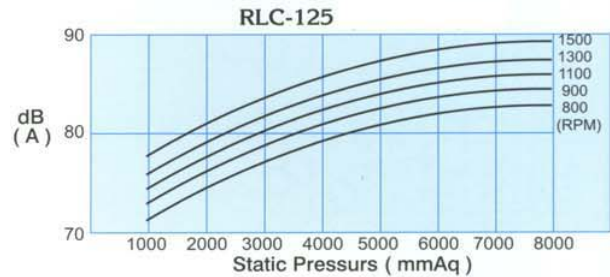
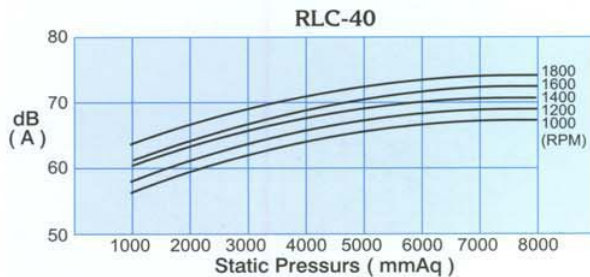
## 1. Measure method (1.0m On Machine Side)

For your information, the following noise reading are the average value measured at a distance 1m from the ALVEST blowers under standard condition.

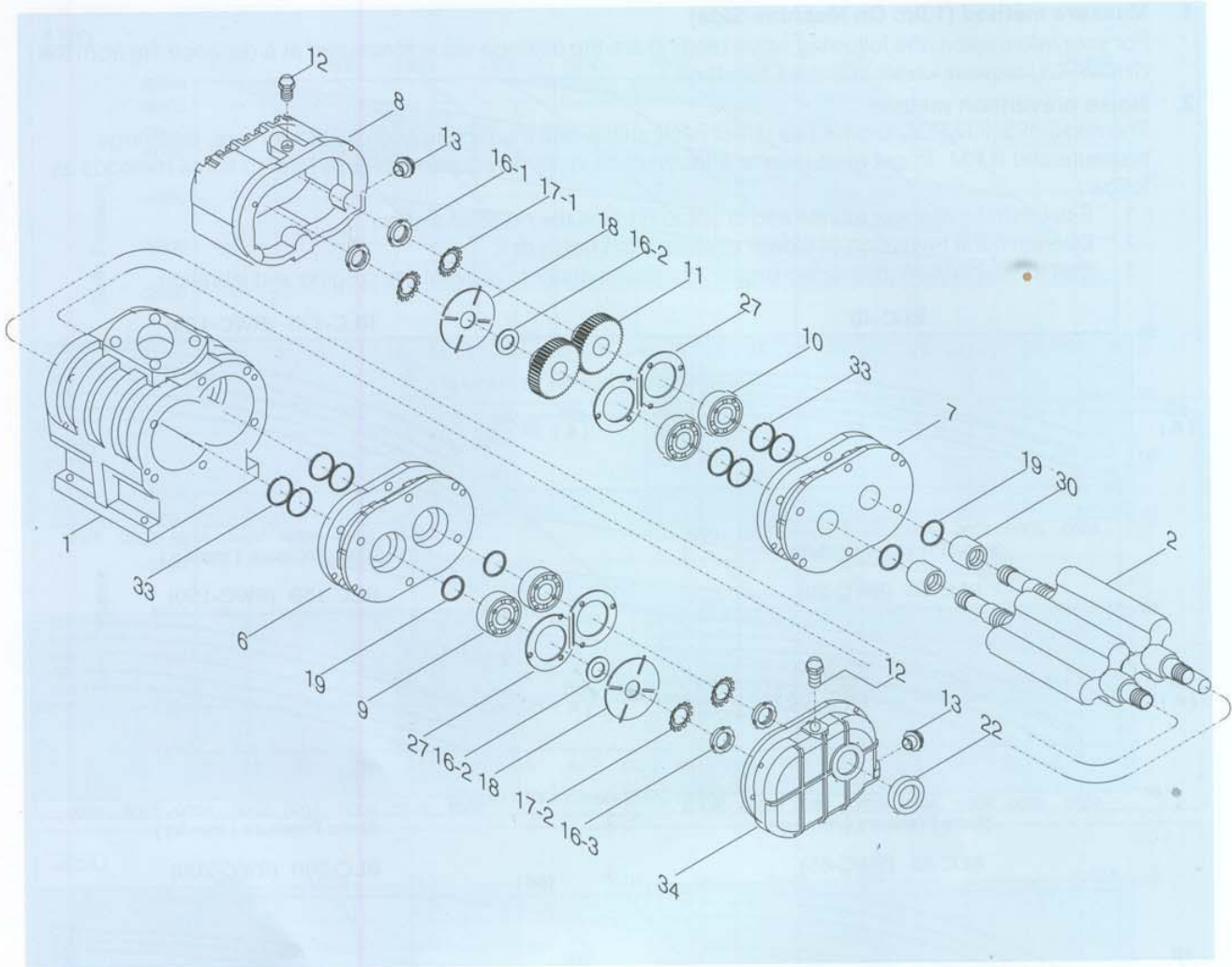
## 2. Noise prevention method

The noise of ALVEST blower has direct relationship with the factors such as blower size, discharge pressure and R.P.M. To get even greater effectiveness in noise reduction, please refer to some methods as follow :

1. Establish the silencer to inlet and outlet to prevent the noise of air flow.
2. Decrease the revolution of blower to reduce the noise of it.
3. Use the expansion joint or the rubber vibration isolator to prevent the surging and vibration.



# RL STRUCTURAL DRAWING



## PARTS LIST

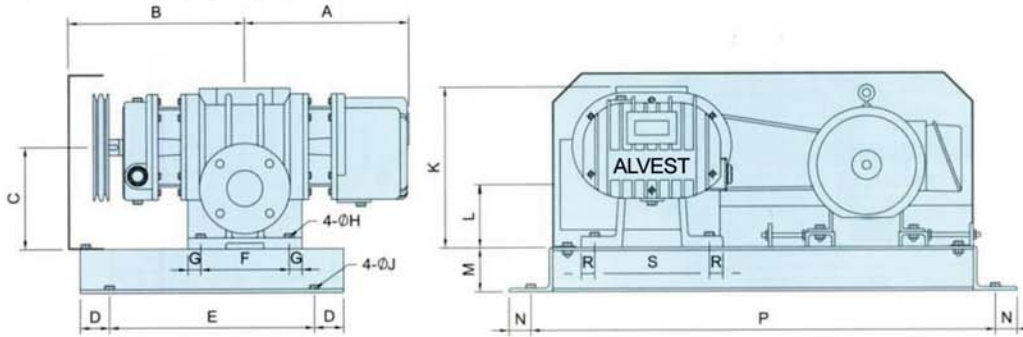
NO.	NAME	MATERIAL	Q'TY
1	CASING	FC25	1
2	ROTOR+SHAFT	FC25+SCM440	2
6	FRONT SIDE COVER	FC25	1
7	REAR SIDE COVER	FC25	1
8	GEAR BOX	FC25	1
9	FRONT BEARING	SUJ2	2
10	REAR BEARING	SUJ2	2
11	TIMING GEAR	SNCM220	2
12	LUBRICATION PLUG	S45C	2
13	OIL GAUGE	GLASS	2
16-1	LOCK NUT	S45C	2

NO.	NAME	MATERIAL	Q'TY
16-2	WASHER	SS41	2
16-3	LOCK NUT	S45C	2
17-1	LOCK NUT	SS41	2
17-2	WASHER	SS41	2
18	OIL SPLASH	SS41	2
19	V SEAL	NBR	4
22	OIL SEAL	VITON	1
27	BEARING COVER	SS41	4
30	BEARING HOLDER	SCM440	2
33	PISTON RING	FC25	8
34	FRONT COVER	FC25	1

# OUTLINE DIMENSIONS

## RL TYPE

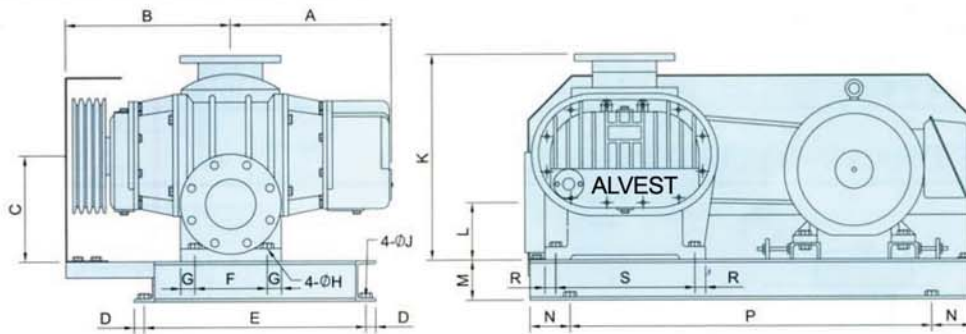
### ◆ DIMENSIONS OF RL-40,50, 65



UNIT : mm

TYPE	A	B	C	D	E	F	G	H	J	K	L	M	N	P	R	S	Wt.(kg)	RLC(kg)
RL-40	238	260	180	20	340	80	15	14	14	290	104	46	41.5	517	23	196	65	103
RL-50	278	302	175	50	350	150	22.5	14	14	276	103.5	75	37.5	795	22	196	70	136
RL-65	308	323	173	50	350	195	30.5	14	14	276	104	75	37.5	795	25	200	75	155

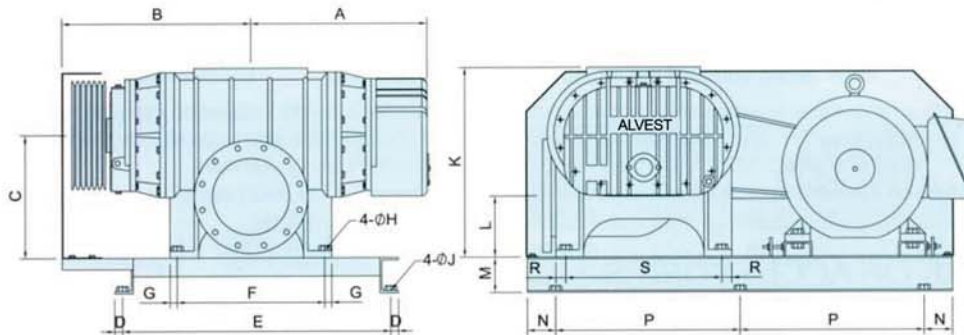
### ◆ DIMENSIONS OF RL-80, 100, 125, 150



UNIT : mm

TYPE	A	B	C	D	E	F	G	H	J	K	L	M	N	P	R	S	Wt.(kg)	RLC(kg)
RL-80	320	406	213	50	450	195	22.5	16	14	341	106.5	75	37.5	945	20	200	143	250
RL-100	320	467	225	25	550	282	20.5	16	19	354	114.5	100	100	760	30	232	166	330
RL-125	455	500	265	25	550	310	30	19	19	498	157.5	100	100	900	22.5	355	296	485
RL-150	510	566	295	25	550	428	26	19	19	457	163	100	100	900	22.5	355	352	525

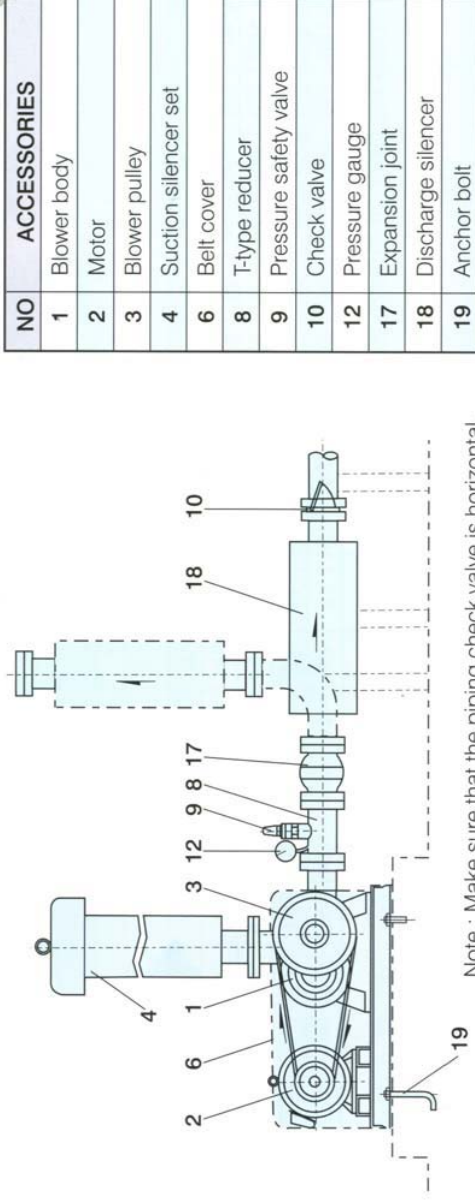
### ◆ DIMENSIONS OF RL-200, 250, 300



UNIT : mm

TYPE	A	B	C	D	E	F	G	H	J	K	L	M	N	P	R	S	Wt.(kg)	RLC(kg)
RL-200	547	620	405	32.5	935	400	40	23	24	705	194	125	100	650	33	550	880	1155
RL-250	622	680	435	32.5	935	520	25	23	24	675	216	125	100	650	35	550	1050	1500
RL-300	685	828	550	35	1035	510	30	23	24	1010	300	250	235	1000	35	780	2000	2800

## REFERENCE DRAWING FOR PIPING (EXAMPLE)



NO	ACCESSORIES
1	Blower body
2	Motor
3	Blower pulley
4	Suction silencer set
6	Belt cover
8	T-type reducer
9	Pressure safety valve
10	Check valve
12	Pressure gauge
17	Expansion joint
18	Discharge silencer
19	Anchor bolt

Note : Make sure that the piping check valve is horizontal.

An example of piping arrangement around the blower is shown. Make the most suitable installation from the viewpoint of space, piping schedule, vibration prevention, etc. It is effective to use rubber vibration isolator and to provide an expansion joint to the blower outlet for the prevention of vibration. A silencer may be used to either laterally or vertically. Install the check valve on the horizontal piping. Use a suitable support to the piping to avoid applying a piping load to the blower nozzle.

## DIMENSIONS OF ACCESSORIES

### BLOWER PULLEY (No.3)

TYPE	BORE	DIMENSION(O.D.)
SPB170 x 1G	40A	170mm
SPB180 x 2G	50A	180mm
SPB180 x 2G	65A	180mm
SPB200 x 3G	80A	200mm
SPB200 x 4G	100A	200mm

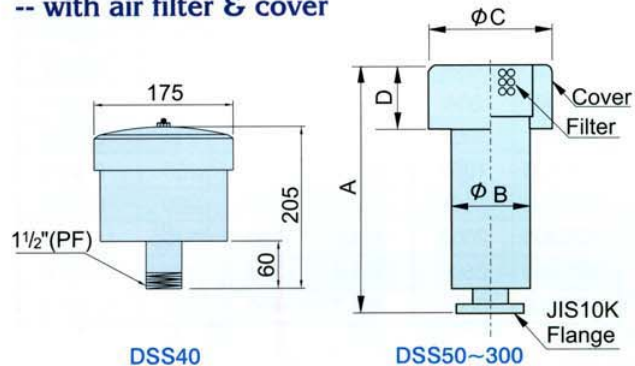
TYPE	BORE	DIMENSION(O.D.)
SPB280 x 4G	125A	280mm
SPB280 x 4G	150A	280mm
SPB375 x 5G	200A	375mm
SPB375 x 6G	250A	375mm
SPC450 x 4G	300A	450mm

## DIMENSIONS OF ACCESSORIES

### SUCTION & DISCHARGE SILENCER SET (No.4)

-- with air filter & cover

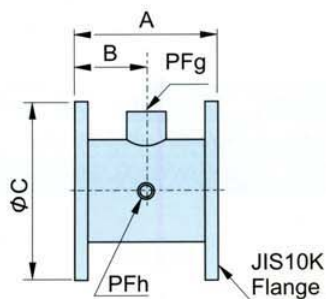
UNIT : mm



TYPE	BORE	A	B	C	D	WT.(kg)
DSS50	50A	548	140	220	80	10
DSS65	65A	548	165	235	85	14
DSS80	80A	818	210	310	145	22
DSS100	100A	818	240	350	160	26
DSS125	125A	1310	280	400	15	30
DSS150	150A	1310	300	450	190	36
DSS200	200A	1500	400	500	210	85
DSS250	250A	1700	400	500	210	110
DSS300	300A	1824	500	650	350	130

### T-TYPE REDUCER (No.8)

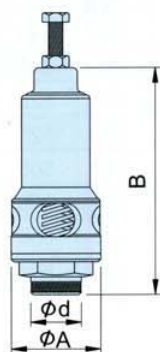
UNIT : mm



TYPE	BORE	A	B	C	PFg	PFh	WT.(kg)
TTR50	40A.50A	150	75	155	PF 1 1/2"	PF 1/4"	5
TTR65	65A	150	75	175	PF 1 1/4"	PF 1/4"	7
TTR80	80A	180	90	185	PF 1 1/2"	PF 1/4"	9
TTR100	100A	180	90	210	PF 1 1/2"	PF 1/4"	11
TTR125	125A	250	125	250	PF 1 1/2"	PF 1/4"	18
TTR150	150A	250	125	280	PF 1 1/2"	PF 1/4"	19
TTR200	200A	250	125	330	PF 3"	PF 1/4"	26
TTR250	250A	250	125	400	PF 3"	PF 1/4"	31
TTR300	300A	300	150	450	PF 3"	PF 1/4"	36

### PRESSURE SAFETY VALVE (No.9)

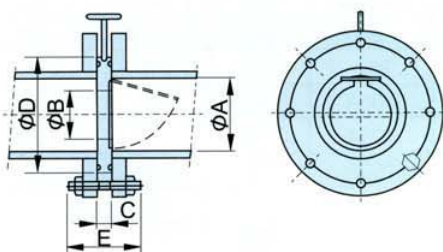
UNIT : mm



TYPE	ΦA	B	Φd	Fitting Model
PSV 32	71.5	182	PF 1 1/4"	RLC/RWC -40,50,65
PSV 50	85	197	PF 2"	RLC/RWC -80,100,125,150
PSV 80	115	221	PF 3"	RLC/RWC -200,250,300

### CHECK VALVE (No.10)

UNIT : mm

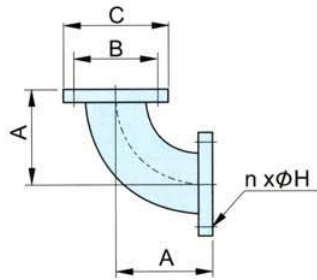


TYPE	BORE	A	B	C	D	E	WT.(kg)
NRV50	40A.50A	52.7	25	18	104	86	1
NRV65	65A	69.9	36	19	124	108	1.5
NRV80	80A	78.1	46	20	134	108	2
NRV100	100A	102.3	67	22	159	108	2.5
NRV125	125A	126.6	88	25	190	115	3.5
NRV150	150A	151.0	108	25	220	115	5
NRV200	200A	200.0	138	25	270	127	7
NRV250	250A	251.4	185	26	331	127	10
NRV300	300A	300.0	220	30	370	150	15

## DIMENSIONS OF ACCESSORIES

### 90° ELBOW (No.14)

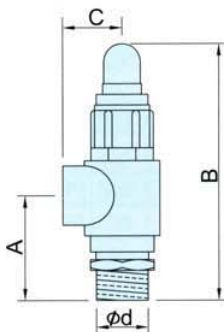
UNIT : mm



TYPE	BORE	A	B	C	WT.(kg)
NDE50	40A,50A	95.3	120	155	4-φ19
NDE65	65A	95.3	140	175	4-φ19
NDE80	80A	114.3	150	185	8-φ19
NDE00	100A	152.4	175	210	8-φ19
NDE125	125A	190.5	210	250	8-φ19
NDE150	150A	228.6	240	280	8-φ19
NDE200	200A	304.8	290	330	12-φ19
NDE250	250A	381.0	355	400	12-φ19
NDE300	300A	457.2	400	445	12-φ19

### VACUUM SAFETY VALVE (No.15)

UNIT : mm

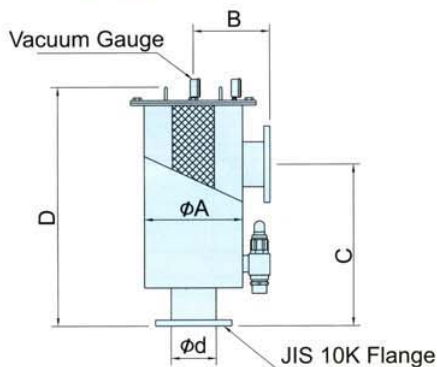


TYPE	A	B	C	φd	E	Wt (kg)	FITTING MODEL
VSV 32	83	208	51	32	PT 1 1/4"	1.87	RLV,RWV -40,50,65,80
VSV 50	103	266	67	50	PT 2"	3.91	RLV,RWV-100,125,150,200,250,300

### SUCTION FILTER TANK (No.16)

-- vacuum gauge included

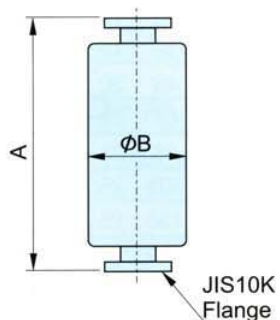
UNIT : mm



TYPE	BORE	A	B	C	D	φd
SFT50	50A	244	222	340	530	60
SFT65	65A	244	222	440	630	76
SFT80	80A	244	222	525	730	89
SFT100	100A	285	240	525	730	114
SFT125	125A	360	280	505	730	139
SFT150	150A	360	280	595	880	165
SFT200	200A	470	335	650	1000	216
SFT250	250A	470	335	800	1200	267
SFT300	300A	600	405	1000	1400	319

### DISCHARGE SILENCER (No.18)

UNIT : mm



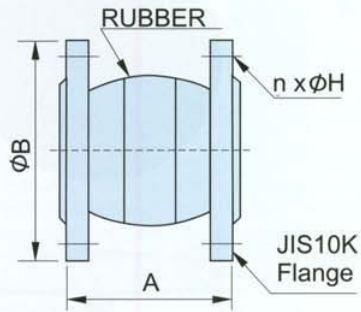
TYPE	BORE	A	B	WT.(kg)
DSF50	40A,50A	560	140	12
DSF65	65A	640	165	16
DSF80	80A	850	210	20
DSF100	100A	950	240	28
DSF125	125A	1150	280	33
DSF150	150A	1350	300	41
DSF200	200A	1600	400	90
DSF250	250A	1700	400	120
DSF300	300A	1800	500	140

## DIMENSIONS OF ACCESSORIES

### EXPANSION JOINT (No.17)

#### EJA TYPE - RUBBER

UNIT : mm

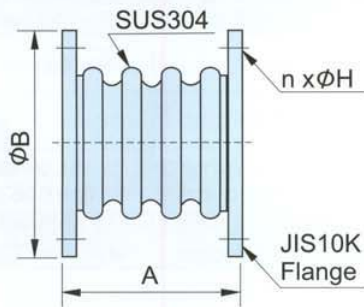


TYPE	BORE	A	B	n- $\phi$ H	EJA WT.(kg)
EJA50	40A.50A	85	155	4- $\phi$ 19	4
EJA65	65A	95	175	4- $\phi$ 19	5
EJA80	80A	110	185	8- $\phi$ 19	6
EJA100	100A	115	210	8- $\phi$ 19	6
EJA125	125A	140	250	8- $\phi$ 19	10
EJA150	150A	150	280	8- $\phi$ 19	13
EJA200	200A	170	330	12- $\phi$ 19	16
EJA250	250A	210	400	12- $\phi$ 19	18
EJA300	300A	240	445	16- $\phi$ 19	21

#### EJB TYPE - SUS 304

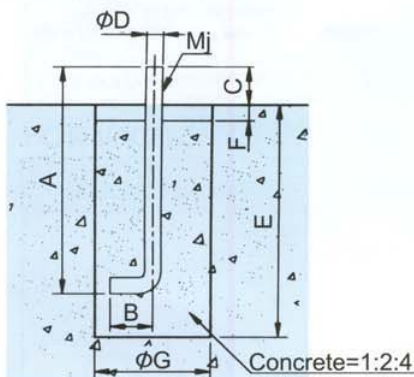
THE EJB TYPE IS RECOMMENDED FOR PRESSURE OVER 5000 mmAq

UNIT : mm



TYPE	BORE	A	B	n- $\phi$ H	EJB WT.(kg)
EJB50	40A.50A	85	155	4- $\phi$ 19	4
EJB65	65A	95	175	4- $\phi$ 19	5
EJB80	80A	110	185	8- $\phi$ 19	6
EJB100	100A	115	210	8- $\phi$ 19	6
EJB125	125A	140	250	8- $\phi$ 19	10
EJB150	150A	150	280	8- $\phi$ 19	13
EJB200	200A	170	330	12- $\phi$ 19	16
EJB250	250A	210	400	12- $\phi$ 19	18
EJB300	300A	240	445	16- $\phi$ 19	21

### ANCHOR BOLT (No.19)



UNIT : mm

TYPE	Mj	A	B	C	D	E	F	G	FITTING TYPE
AB1	M12	165	30	25	12	165	5	100	RL, RW-50,65,80
AB2	M16	245	45	40	16	245	5	120	RL, RW-100,125
AB3	M20	325	55	55	20	325	5	150	RL, RW-150,200,250,300