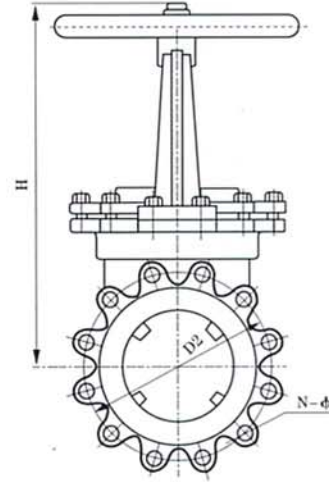
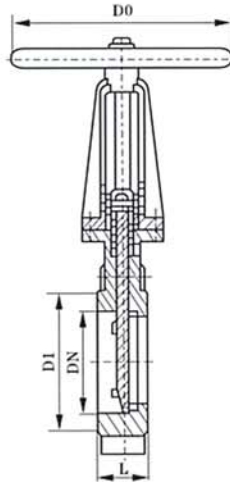


PZ43^N_F-1.0
V-1.6

Manual knife gate valve



Chief Property And Specification

(MPa) Normal	(MPa) Shell Test	(MPa) Seal Test	Working Temperature	Suitable
1.0	1.5	1.1	≤ 100°C - 900°C	Mortar Mixture, Dregs with Water Proportion
1.6	2.4	1.8	≤ 100°C	

Material Of Main Part

Body, Bonnet	Disc	Stem	Sealing
S.S, C.S, C.I	C.S, S.S	S.S	Rubber, PTFE, S.S, Carbide Alloy

Main External And Connecting Dimensions(mm)

MPa	DN	L	D1	D2	H	N-M	D0	W(Kg)
1.0	50	48	100	125	285	4 - M 16	180	8
	65	48	120	145	298	4 - M 16	180	10
	80	51	135	160	315	4 - M 16	220	12
	100	51	155	180	365	8 - M 16	220	14
	125	57	185	210	400	8 - M 16	230	22
	150	57	210	240	475	8 - M 20	280	29
	200	70	265	295	540	8 - M 20	360	38
	250	70	320	350	630	12 - M 20	360	66
	300	76	368	400	780	12 - M 20	400	100
	350	76	428	460	885	16 - M 20	400	119
	400	89	482	515	990	16 - M 22	400	195
	450	89	532	565	1100	20 - M 22	530	285
	500	114	585	620	1200	20 - M 22	530	389
	600	114	685	725	1450	20 - M 27	600	529
1.6	700	127	800	840	1700	24 - M 27	600	790
	800	127	898	950	2000	24 - M 30	680	850
	900	154	998	1050	2300	28 - M 30	680	900
	1000	165	1110	1160	2500	28 - M 30	700	1050
	1200	190	1325	1380	2800	32 - M 36	800	1300
	50	48	100	125	285	4 - M 16	180	8.5
	65	48	120	145	295	4 - M 16	180	10.7
	80	51	135	160	315	8 - M 16	220	13
	100	51	155	180	365	8 - M 16	220	15
	125	57	185	210	400	8 - M 16	230	23.5
	150	57	210	240	475	8 - M 20	280	31
	200	70	265	295	540	12 - M 20	360	40.7
	250	70	320	355	630	12 - M 22	360	70
	300	76	375	410	780	12 - M 22	400	107
350	76	435	470	885	16 - M 22	400	129	
400	89	485	525	990	16 - M 27	400	215	
450	89	545	585	1100	20 - M 27	530	305	
500	114	608	650	1200	20 - M 30	530	410	
600	114	718	770	1450	20 - M 36	600	550	
700	127	788	840	1700	24 - M 36	600	820	
800	127	898	950	2000	24 - M 36	680	950	
900	154	998	1050	2300	28 - M 36	680	1020	
1000	165	1110	1170	2500	28 - M 42	700	1120	
1200	190	1325	1390	2800	32 - M 48	800	1480	