

# GRINDER PUMP type GP

**Pumps designed to reduce industrial and domestic sewage to fine slurry.**

**GP type Submersible Grinder Pump**

**GPQ type Submersible Stainless Grinder Pump**

GPQ



GP



# GRINDER PUMP type GP

## ■ Features:

- 1.The powerful integrated grinding mechanism particularly for grinding larger and heavier piece such as the poultry bones at the waste of the restaurant or the untreated sewage with larger hard solid inside.
- 2.The hard stainless steel made grinder and impeller together with the high torque motor perform the optimal grinding performance.
- 3.Special servicing hole situated at the side of the pump casing provide the easy checking and cleaning function during the maintenance.
- 4.The triplex seals- Double mechanical seal plus an oil seal to isolate the motor from the sewage.
- 5.Unique Epoxy Cable Sealing Base ensures 100% capability to block the water vapor from entering the motor even the cable breaks.
- 6.Equipped with a self-reset circle thermal protect or to prevent over-loading, locking of the impeller, and scorch damage to the motor from phase failure.
- 7.Using dual ball bearing on the bottom of the motor to support the axial push.





# GRINDER PUMP type GP

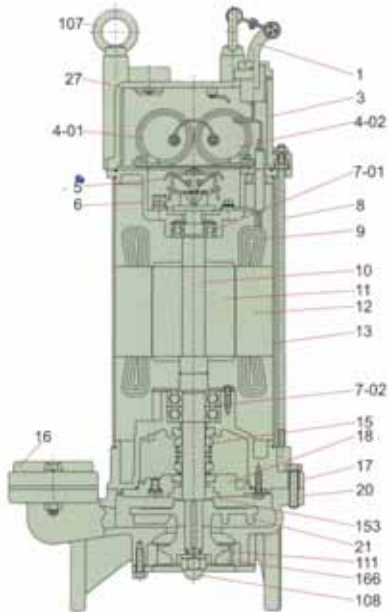
● GPQ type Submersible Stainless Grinder Pump



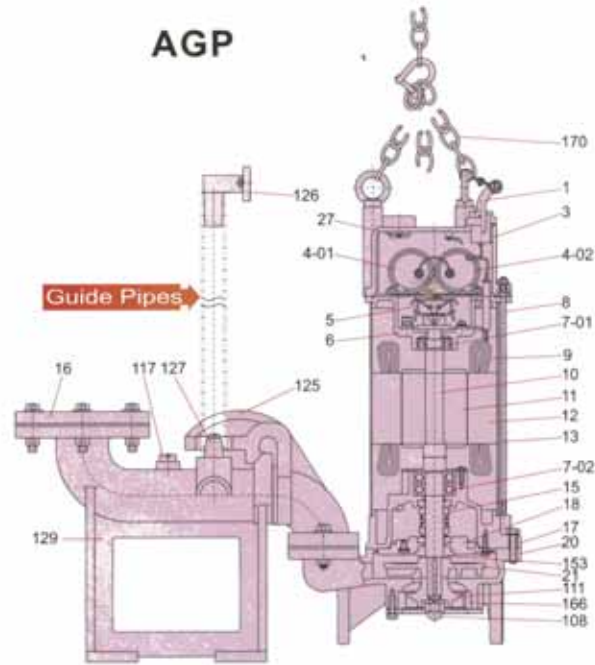
# GRINDER PUMP type GP

## ● FEATURES

### GP



### AGP



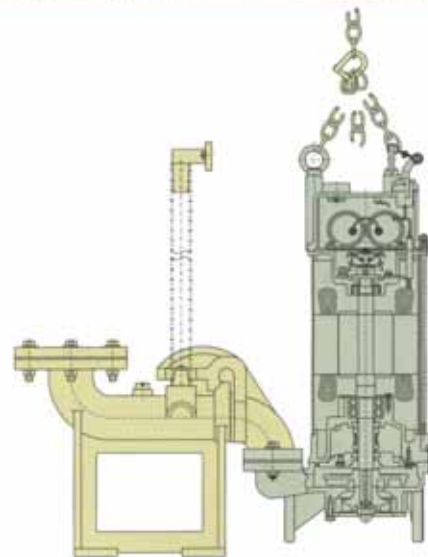
### STANDARD ACCESSORIES of TOS model

NO.	NAME OF PARTS	MATERIAL	
		GP	AGP
1	Cable	V.C.T.	V.C.T.
3	Motor head cover	Cast iron	Cast iron
4-01	Running capacitor		
4-02	Starting capacitor		
5	Centrifugal switch		
6	Upper bracket	Cast iron	Cast iron
7-01	Bearing		
7-02	Bearing	SUS 304	SUS 304
8	Bolt		
9	Coil	SUS 304	SUS 304
10	Shaft		
11	Rotor	Steel plate	Steel plate
12	Stator	Steel plate	Steel plate
13	Motor casing	SUS 304	SUS 304
15	Mechanical seal		
16	Flange setter	Cast iron	Cast iron
17	Motor lower cover	Cast iron	Cast iron
18	Mechanical seal cover	Cast iron	Cast iron
20	Pump casing	Cast iron	Cast iron
21	Impeller	Cast iron	Cast iron
27	Thermal protector		
107	Bolt	Steel	
108	Nut	Bronze	Bronze
111	Rotating cutter	SCM 440	SCM 440
117	Bolt		Bronze
125	Guide connector		Cast iron
126	Guide support		Cast iron
127	Lower guide support		Cast iron
129	Duck foot bend		Cast iron
153	Sand proof trap	NBR	NBR
166	Fixed blade	SCM 440	SCM 440
170	Lifting chain set		SUS 304

Part NO.	Description	Discharge bore		Material
		1 1/4" (32mm)	2" (50mm)	
126	Upper guide support	1.5 kg	1.5 kg	Cast iron
125	Guide connector	2.7 kg	2.7 kg	Cast iron
170	Lifting chain with shackle	4 m	4 m	SUS 304
129	Duck foot bend	12 kg	12 kg	Cast iron

■ the **guide pipes** are not included in the package of the TOS model.

TYPE	Discharge bore	Designed for
TOS-32	1 1/4" (32mm)	GP-1B12/1B32, GP-212/232
TOS-50	2" (50mm)	GP-332, GP-532



**TOS model + GP Type = AGP**

Customer can order the TOS model to convert the GP pump into the AGP pump for example:

TOS-32 + GP-1B12 (1 1/4" Bore) = AGP-1B12

TOS-50 + GP-532 (2" Bore) = AGP-532



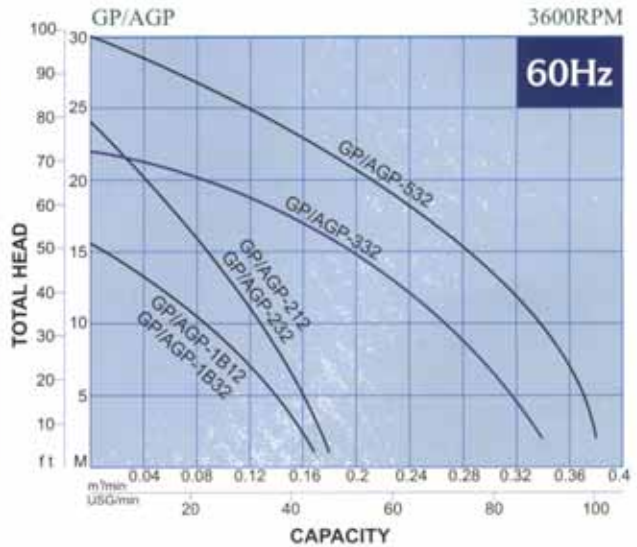
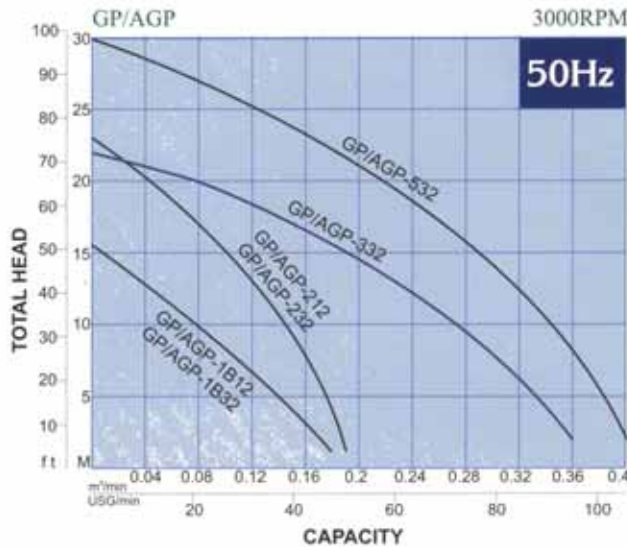
# GRINDER PUMP type GP

## SPECIFICATIONS

Hz	TYPE		MOTOR					PUMP				IMPELLER						
	Floor mount	Auto-setter	Power	Volt	Phase	SS Revolution	Starting	Bore	Total Head	Flow	Max. Head	Max. Flow	NO. of Vanes	Cable	Weight(kg)			
	Kw(HP)	V	PH	R.P.M	Method	Inch(mm)	M	m <sup>3</sup> /min	Max.	m <sup>3</sup> /min	mm <sup>2</sup> x m	Floor mount			Auto-setter			
50	GP-1B12	AGP-1B12	1.1 (1 1/2)	200-240	1	3000	D. O. L	1 1/4"(32)	11.2	0.06	16	0.19	8	3.5" X10	31	47		
	GP-1B32	AGP-1B32		200-480											3	30	46	
	GP-212	AGP-212	1.5 (2)	200-240	1				3	18	0.06	23			0.2	3.5" X10	37	53
	GP-232	AGP-232		200-480													3	34
	GP-332	AGP-332	2.2 (3)	200-480	3				2	14	0.2	22			0.38	3.5" X10	48	64
	GP-532	AGP-532		200-480													3	50
60	GP-1B12	AGP-1B12	1.1 (1 1/2)	200-240	1	3600	D. O. L	1 1/4"(32)	12	0.06	16	0.18	8	3.5" X10	31	47		
	GP-1B32	AGP-1B32		200-480											3	30	46	
	GP-212	AGP-212	1.5 (2)	200-240	1				3	17	0.06	24			0.19	3.5" X10	37	53
	GP-232	AGP-232		200-480													3	34
	GP-332	AGP-332	2.2 (3)	200-480	3				2	14	0.2	22			0.36	3.5" X10	48	64
	GP-532	AGP-532		200-480													3	50

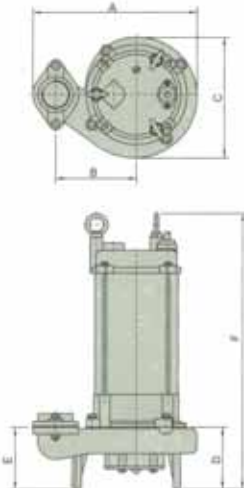
■ GP-FLOOR MOUNT TYPE GRINDER PUMP AGP-AUTO-SETTER TYPE GRINDER PUMP

## GP/AGP Type PERFORMANCE CURVE



## DIMENSIONS

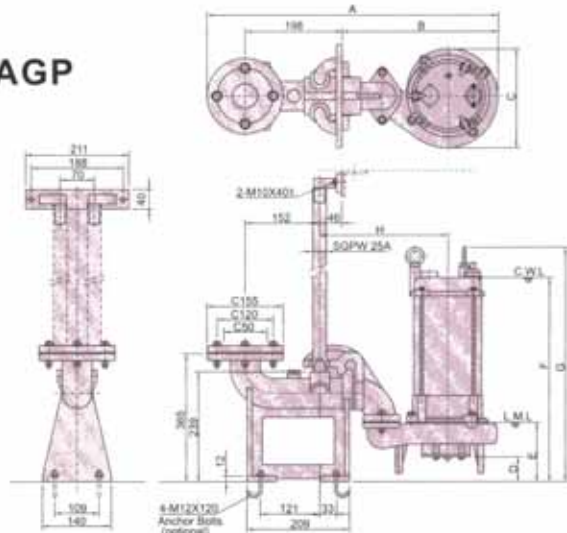
GP



UNIT:mm

TYPE	A	B	C	D	E	F
GP-1B12	284	139	210	108	108	512
GP-1B32	284	139	210	108	108	459
GP-212	284	139	210	108	108	552
GP-232	284	139	210	108	108	459
GP-312	312	155	234	111	111	595
GP-332	312	155	234	111	111	513
GP-532	312	155	234	111	111	573

AGP



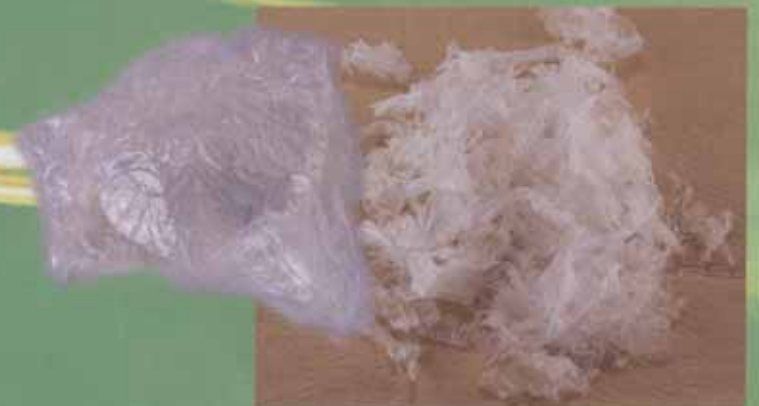
UNIT:mm

TYPE	A	B	C	D	E	F	G	H
AGP-1B12	616	340	210	65	138	522	542	281
AGP-1B32	616	340	210	65	138	466	489	281
AGP-212	616	340	210	65	138	562	582	281
AGP-232	616	340	210	65	138	466	489	281
AGP-312	645	369	234	58	138	598	622	297
AGP-332	645	369	234	58	138	515	540	297
AGP-532	645	369	234	58	138	566	600	297

# GRINDER PUMP type GP

## ■ Features:

1. The advanced integrated grinding mechanism particularly well-suited for use with liquids that may contain filaments, plastic bags, long fibers, rubber material etc.
2. The grinding mechanism is composed of a fixed blade and a rotating cutter made by hard Chromium-Molybdenum alloy steel that is highly resistant to the abrasion. There are 27 cutting edges on the fixed part. Then the two poles high torque motor will provide more than 80,000 shredding actions every minutes to perform an optimum shredding performance.
3. The triplex seals- Double mechanical seal plus an oil seal to isolate the motor from the sewage.
4. Unique Epoxy Cable Sealing Base ensures 100% capability to block the water vapor from entering the motor even the cable breaks.
5. Using dual ball bearing on the bottom of the motor to support the axial push.





# GRINDER PUMP type GP

● GP type Submersible Grinder Pump



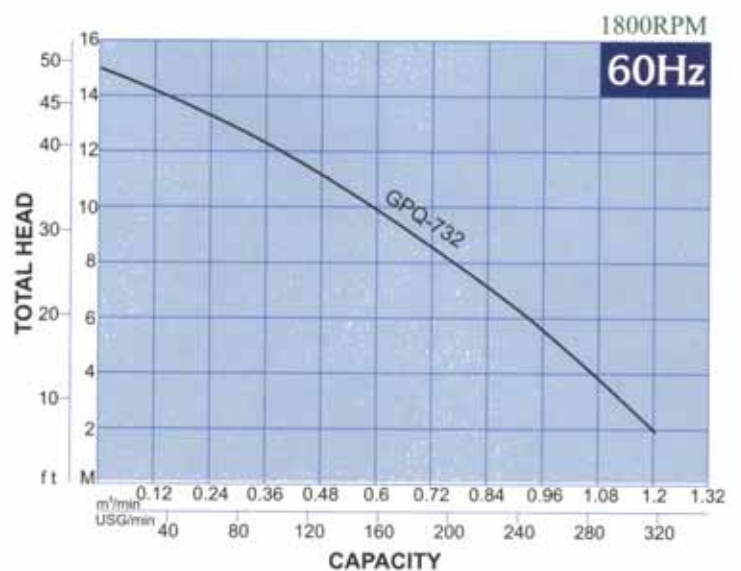
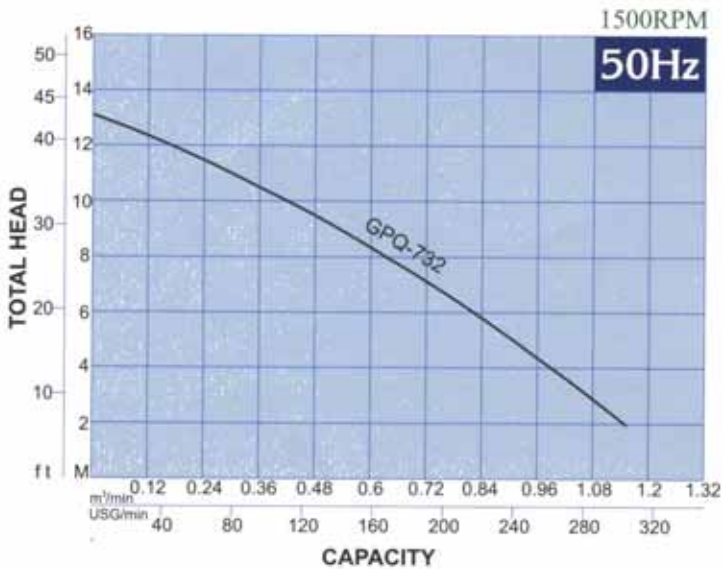
# GRINDER PUMP type GP

## ● SPECIFICATIONS

Hz	TYPE	MOTOR					PUMP					IMPELLER		Weight Kg
		Power Kw(HP)	Volt V	Phase	Revolution R.P.M	Starting Method	Bore Inch(mm)	Total Head M	Flow m <sup>3</sup> /min	Max. Head Max.	Max. Flow m <sup>3</sup> /min	NO.of Vanes	Cable mm <sup>2</sup> xm	
50	GPQ-732	5.5(7 1/2)	200-480	3	1500	D. O. L	3"(80)	9	0.5	13	1.26	6	5.5 <sup>2</sup> X10	83.5
60	GPQ-732				1800	D. O. L		11		15	1.3			

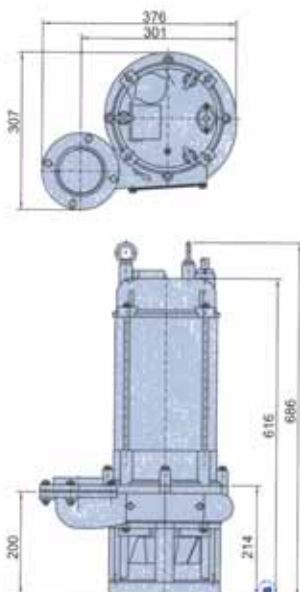
GPQ-FLOOR MOUNT TYPE STAINLESS GRINDER PUMP

## ● PERFORMANCE CURVE



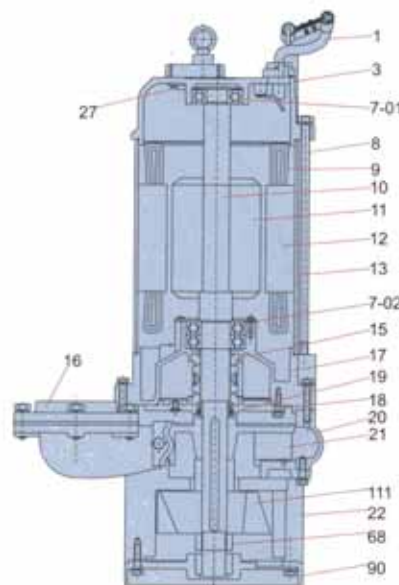
## ● DIMENSIONS

GPQ



## ● FEATURES

GPQ



NO.	NAME OF PARTS	MATERIAL
1	Cable	V.C.T
3	Motor head cover	SUS 304
7-01	Bearing	
7-02	Bearing	
8	Bolt	SUS 304
9	Coil	
10	Shaft	SUS 410
11	Rotor	Steel plate
12	Stator	Steel plate
13	Motor casing	SUS 304
15	Mechanical seal	
16	Flange setter	SUS 304
17	Motor low cover	SUS 304
18	Mechanical seal cover	SUS 304
19	Oil seal	
20	Pump casing	SUS 304
21	Impeller	SUS 304
22	Suction cover	SUS 304
27	Thermal protector	
68	Nut	Gun metal
90	Motor base	SUS 304
111	Cutter	SUS 304