



WQS



WQS Ponorné kalové čerpadlo

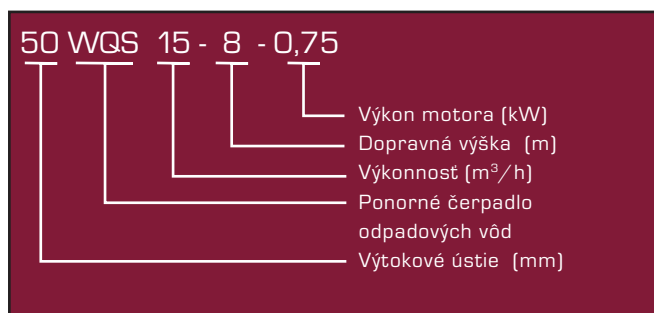
WQS Ponorné kalové čerpadlo

■ ÚČEL

Typový rad ponorných kalových čerpadiel WQS sa používa hlavne na čerpanie odpadových vôd a kalov v mestských zariadeniach, priemyselných závodoch, hoteloch, nemocniciach, civilnej ochrane, doloch atď. s účelom odvádzania odpadových vôd splaškových, priemyselných, dažďových, vôd obsahujúcich pevné častice a vlákna rôznych dĺžok.

■ PODMIENKY POUŽÍVANIA

1. Teplota média by nemala prekročiť 60°C, hustota materiálu 1200 kg / m³ a hodnota pH by sa mala pohybovať medzi 5 - 9.
2. V priebehu prevádzky nesmie byť čerpadlo umiestnené nižšie ako je hladina kvapaliny vid' „najnižšia hladina kvapaliny“ na výkrese s montážnymi rozmermi (týka sa to hlavne automatického chladiaceho systému), čo nesmie byť menej ako sú 2/3 celkovej výšky čerpadla v priebehu prevádzky, ak nie je použitý automatický chladiaci systém.
3. Menovité napätie 400 V, menovitá frekvencia 50 Hz. Motor môže pracovať len za predpokladu, že kolísanie ako aj menovitého napätia, tak aj menovitej frekvencie neprekročí $\pm 5\%$.
4. Maximálny priemer pevných častíc prechádzajúcich čerpadlom nesmie byť väčší ako 50% výtokového otvoru potrubia čerpadla.



■ ZMYSEL OTÁČANIA

Obežné koleso sa otáča proti smeru hodinových ručičiek z pohľadu od sacej strany

■ POPIS KONŠTRUKČNÝCH PRVKOV

Ložisko:

Ložisko SKF alebo NTN, ktoré pri vhodnom usporiadaní môže prekročiť životnosť celého čerpadla

Chladienie:

Zabudovaný chladiaci systém umožňuje prevádzku čerpadla, či už je motor na úrovni alebo pod hladinou čerpanej kvapaliny. Časť kvapaliny je odoberaná k odvádzaniu tepla produkovaného motorom z obehu čerpadla k chladiacemu valcu a ku skrini čerpadla. Ak je potrebné externé chladienie, môže byť chladiaci plášť oddelený od tela čerpadla a pripojený samostatne na chladiaci systém.

Motor:

Izolačná trieda F, max. pracovná teplota 155°C a druh krytia IPB pri účinnej upchávke.

Mechanická upchávka:

Je použitá mechanická upchávka nemeckej firmy Bogman, jej dvojité prevedenie je vo vzájomnej sérii. Ich funkcia je samostatná na oddelenie motora od upchávky čerpadla a zabezpečenia dvojitej ochrany motora. Tesniacim materiálom zo strany čerpadla je karbid wolfrámu / karbid wolfrámu, zatiaľ čo zo strany motora je použitý grafit / karbid kremíka.

Nádržka s olejom:

Olej môže mazat a chladit mechanickú upchávku a tým spĺňať danú funkciu zabezpečiť motor pred vniknutím kvapaliny. Určité množstvo vzduchu vo vnútri nádržky môže znížiť tlak zvýšeným hromadením.

Obežné koleso:

Svojou optimálnou konštrukciou sa obežné koleso nebude zapchávať pri čerpaní kvapaliny s optimálnym prietokom, rýchlosťou a maximálnou účinnosťou. Pre každú úlohu je možné zvoliť optimálne obežné koleso. V závislosti od média, ktoré sa má čerpať, je možné voliť medzi obežnými kolesami jedno a dvojkanálovými ako aj s tromi lopatkami.

Telo čerpadla:

Používajte metódu CAD/CAM na docielenie maximálnej účinnosti pri optimálnom opotrebení.

Hriadeľ:

Čerpadlo je koaxiálne s motorom a mechanickou upchávku na konci hriadeľa, bráni styku s médium a tým ho chráni pred koróziou. Pokiaľ možno čo najkratší rotujúci hriadeľ zabezpečuje jeho obmedzené vychýlenie a chvenie, čo predlžuje životnosť ako aj mechanickej upchávky, tak aj ložiska a zníži hlučnosť pri prevádzke.

Monitorovací systém:

Vo vnútri statora sú umiestnené tri teplom ovládané spínače, ktoré sa pri normálnej teplote nachádzajú v „neotvorenom“ stave a reagujú pri teplote statora 125 °C.

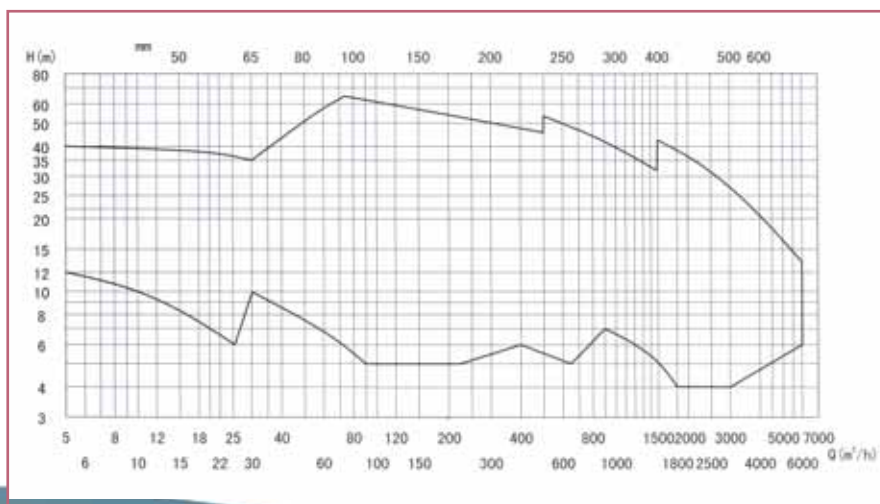
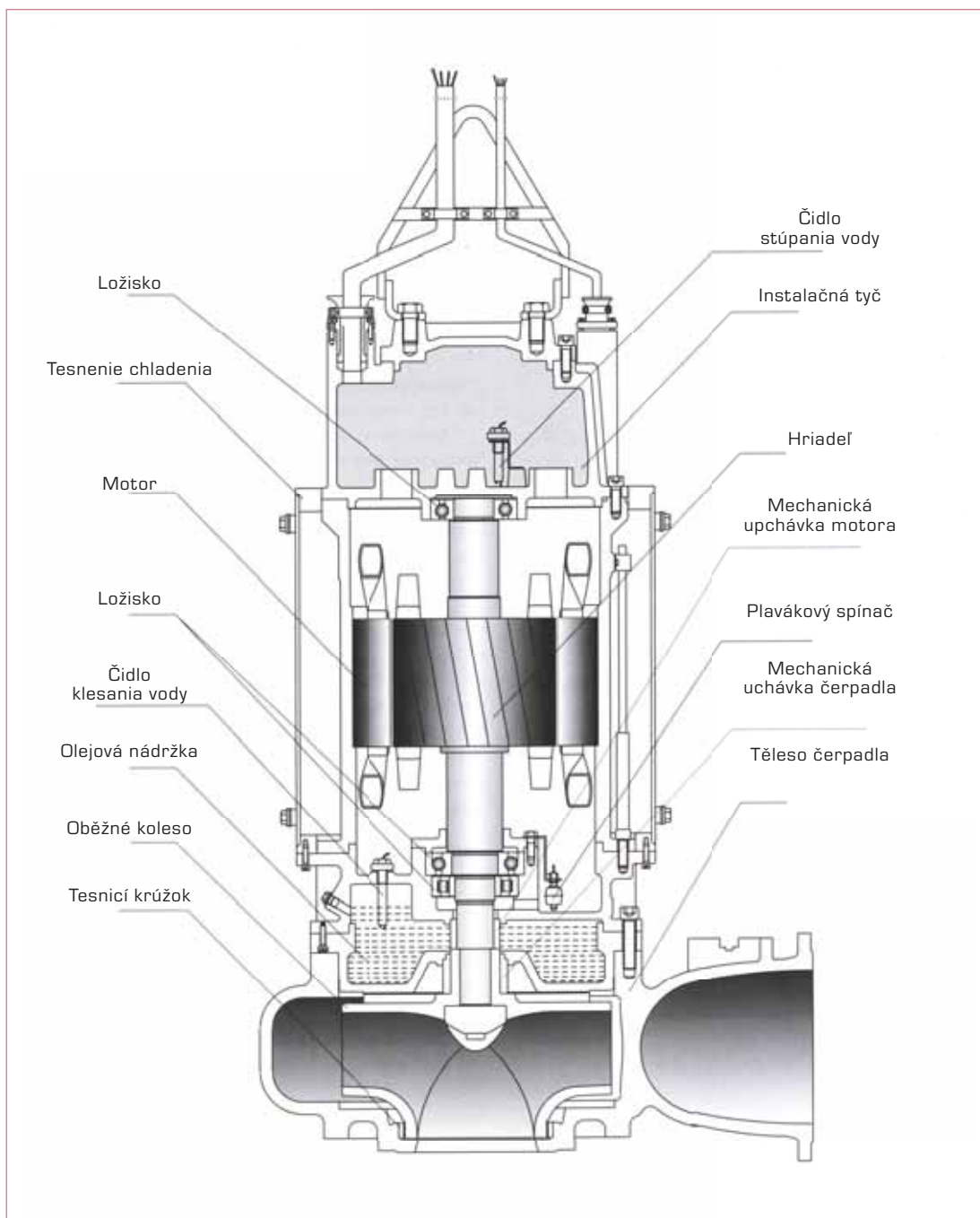
Vo vnútri nádržky s olejom je umiestnená sonda netesnosti a na kontrolu prítomnosti vody. Táto upozorňuje svetelným signálom (indikátor) na netesnosť mechanickej upchávky zo strany čerpadla akonáhle pomer oleja / vody dosiahne určitej koncentrácie. Súčasne automaticky vypne napájanie a zastaví chod čerpadla. Servisní pracovníci by mali vymeniť olej včas a skontrolovať mechanickú upchávku zo strany čerpadla, prípadne ju vymeniť. Všetky spínacie skrinky motora s výkonom nad 30 kW sú vybavené čidlom na kontrolu netesnosti kábla.

Plavákový spínač:

Plavákový spínač vydáva varovný signál (indikáčny svetlo), ak sa vyskytne netesnosť mechanickej upchávky zo strany motora. Akonáhle kvapalina vnikne do priestoru spínača a dosiahne určitej výšky, čerpadlo sa vypne. Servisný technik by mal skontrolovať mechanickú upchávku a vymeniť ju v prípade potreby. Je tiež potrebné skontrolovať, či do spínacej skrinky neprichádza prúd z jednej fázy a tak zabrániť spáleniu zvyšných fáz.

WQS Ponorné kalové čerpadlo

■ SCHÉMA KONSTRUKCE TYPU WQS



WQS Ponorné kalové čerpadlo

TABUĽKA VÝKONOV ČERPADIEL TYPU WQS

| Číslo | Typ | Priemer výstupu (mm) | Prietok | | Výtlačná výška [m] | Otáčky [ot./min] | Výkon [kW] | Účinnosť [%] | Hmotnosť [kg] |
|-------|------------------|----------------------|---------------------|-------|--------------------|------------------|------------|--------------|---------------|
| | | | [m ³ /s] | [L/s] | | | | | |
| 1 | 50WQ25-32-5.5 | 50 | 20 | 5.6 | 35 | 1440 | 5.5 | 43 | 90 |
| | | | 25 | 6.9 | 32 | | | | |
| | | | 40 | 11.1 | 25 | | | | |
| 2 | 50WQ25-36-7.5 | 50 | 20 | 5.6 | 38 | 1440 | 7.5 | 43 | 105 |
| | | | 25 | 6.9 | 36 | | | | |
| | | | 40 | 11.1 | 33 | | | | |
| 3 | 65WQ30-30-5.5 | 65 | 20 | 5.6 | 32 | 1440 | 5.5 | 44 | 100 |
| | | | 30 | 8.3 | 30 | | | | |
| | | | 45 | 12.5 | 22 | | | | |
| 4 | 65WQ30-35-7.5 | 65 | 20 | 5.6 | 37 | 1440 | 7.5 | 44 | 195 |
| | | | 30 | 8.3 | 35 | | | | |
| | | | 45 | 12.5 | 30 | | | | |
| 5 | 80WQ50-20-5.5 | 80 | 40 | 11.1 | 23 | 1440 | 5.5 | 48 | 110 |
| | | | 50 | 13.9 | 20 | | | | |
| | | | 75 | 20.8 | 16 | | | | |
| 6 | 80WQ50-25-7.5 | 80 | 40 | 11.1 | 28 | 1440 | 7.5 | 48 | 125 |
| | | | 50 | 13.9 | 25 | | | | |
| | | | 75 | 20.8 | 21 | | | | |
| 7 | 80WQ50-35-11 | 80 | 40 | 11.1 | 40 | 2900 | 11 | 48 | 180 |
| | | | 50 | 13.9 | 35 | | | | |
| | | | 75 | 20.8 | 27 | | | | |
| 8 | S0WQ50-40-15 | 80 | 40 | 11.1 | 42 | 2900 | 15 | 46 | 205 |
| | | | 50 | 13.9 | 40 | | | | |
| | | | 75 | 20.8 | 37 | | | | |
| 9 | 100WQ80-13-5.5 | 100 | 65 | 18.1 | 15 | 1440 | 5.5 | 58 | 120 |
| | | | 80 | 22.2 | 13 | | | | |
| | | | 120 | 33.3 | 10 | | | | |
| 10 | 100WQ80-18-7.5 | 100 | 65 | 18.1 | 21 | 1440 | 7.5 | 58 | 135 |
| | | | 80 | 22.2 | 18 | | | | |
| | | | 120 | 33.3 | 13 | | | | |
| 11 | 100WQ80-24-11 | 100 | 65 | 18.1 | 28 | 2900 | 11 | 58 | 190 |
| | | | 80 | 22.2 | 24 | | | | |
| | | | 120 | 33.3 | 20 | | | | |
| 12 | 100WQ80-32-15 | 100 | 65 | 18.1 | 35 | 2900 | 15 | 54 | 215 |
| | | | 80 | 22.2 | 32 | | | | |
| | | | 120 | 33.3 | 25 | | | | |
| 13 | 100WQ80-36-18.5 | 100 | 65 | 18.1 | 40 | 2900 | 18.5 | 50 | 280 |
| | | | 80 | 22.2 | 36 | | | | |
| | | | 120 | 33.3 | 30 | | | | |
| 14 | 100WQ80-40-22 | 100 | 65 | 18.1 | 45 | 2900 | 22 | 50 | 290 |
| | | | 80 | 22.2 | 40 | | | | |
| | | | 120 | 33.3 | 35 | | | | |
| 15 | 150WQ150-7-5.5 | 150 | 100 | 27.8 | 9 | 1440 | 5.5 | 63 | 130 |
| | | | 150 | 41.7 | 7 | | | | |
| | | | 220 | 61.1 | 5 | | | | |
| 16 | 150WQ150-10-7.5 | 150 | 100 | 27.8 | 12 | 1140 | 7.5 | 63 | 150 |
| | | | 150 | 41.7 | 10 | | | | |
| | | | 220 | 61.1 | 7 | | | | |
| 17 | 150WQ150-15-11 | 150 | 100 | 27.8 | 18 | 1460 | 11 | 67 | 215 |
| | | | 150 | 41.7 | 15 | | | | |
| | | | 220 | 61.1 | 11 | | | | |
| 18 | 150WQ150-20-15 | 150 | 100 | 27.8 | 23 | 1460 | 15 | 60 | 240 |
| | | | 150 | 41.7 | 20 | | | | |
| | | | 220 | 61.1 | 17 | | | | |
| 19 | 150WQ150-25-18.5 | 150 | 100 | 27.8 | 28 | 1470 | 18.5 | 60 | 300 |
| | | | 150 | 41.7 | 25 | | | | |
| | | | 220 | 61.1 | 19 | | | | |
| 20 | 150WQ150-30-22 | 150 | 100 | 27.8 | 33 | 1470 | 22 | 60 | 320 |
| | | | 150 | 41.7 | 30 | | | | |
| | | | 200 | 55.6 | 25 | | | | |
| 21 | 150WQ150-40-30 | 150 | 100 | 27.8 | 42 | 1470 | 30 | 60 | 580 |
| | | | 150 | 41.7 | 40 | | | | |
| | | | 200 | 55.6 | 33 | | | | |
| 22 | 150WQ150-45-37 | 150 | 100 | 27.8 | 47 | 1470 | 37 | 55 | 650 |
| | | | 150 | 41.7 | 45 | | | | |
| | | | 200 | 55.6 | 38 | | | | |
| 23 | 150WQ150-50-45 | 150 | 100 | 27.8 | 52 | 1470 | 46 | 55 | 750 |
| | | | 150 | 41.7 | 50 | | | | |
| | | | 200 | 55.6 | 47 | | | | |
| 24 | 150WQ100-60-55 | 150 | 80 | 22.2 | 62 | 1470 | 55 | 53 | 850 |
| | | | 100 | 27.8 | 60 | | | | |
| | | | 150 | 41.7 | 56 | | | | |
| 25 | 200WQ300-7-11 | 200 | 250 | 69.4 | 8 | 1460 | 11 | 72 | 280 |
| | | | 300 | 83.3 | 7 | | | | |
| | | | 400 | 111.1 | 6 | | | | |
| 26 | 200WQ300-10-15 | 200 | 250 | 69.4 | 11 | 1460 | 15 | 72 | 300 |
| | | | 300 | 83.3 | 10 | | | | |
| | | | 400 | 111.1 | 8 | | | | |
| 27 | 200WQ300-13-18.5 | 200 | 250 | 69.4 | 15 | 1470 | 18.5 | 66 | 370 |
| | | | 300 | 83.3 | 13 | | | | |
| | | | 400 | 111.1 | 10 | | | | |
| 28 | 200WQ300-15-22 | 200 | 250 | 69.4 | 17 | 1470 | 22 | 66 | 380 |
| | | | 300 | 83.3 | 15 | | | | |
| | | | 400 | 111.1 | 13 | | | | |
| 29 | 200WQ300-20-30 | 200 | 250 | 69.4 | 22 | 980 | 30 | 66 | 650 |
| | | | 300 | 83.3 | 20 | | | | |
| | | | 400 | 111.1 | 17 | | | | |
| 30 | 200WQ300-25-37 | 200 | 250 | 69.4 | 27 | 980 | 37 | 66 | 720 |
| | | | 300 | 83.3 | 25 | | | | |
| | | | 400 | 111.1 | 20 | | | | |
| 31 | 200WQ400-27-45 | 200 | 250 | 69.4 | 35 | 980 | 45 | 65 | 850 |
| | | | 400 | 111.1 | 27 | | | | |
| | | | 500 | 138.9 | 24 | | | | |
| 32 | 200WQ400-34-55 | 200 | 250 | 69.4 | 39 | 980 | 55 | 65 | 950 |
| | | | 400 | 111.1 | 34 | | | | |
| | | | 500 | 138.9 | 30 | | | | |
| 33 | 200WQ400-40-75 | 200 | 250 | 69.4 | 44 | 1480 | 75 | 62 | 1300 |
| | | | 400 | 111.1 | 40 | | | | |
| | | | 500 | 138.9 | 35 | | | | |
| 34 | 200WQ400-48-90 | 200 | 250 | 69.4 | 50 | 1480 | 90 | 62 | 1420 |
| | | | 400 | 111.1 | 48 | | | | |
| | | | 500 | 138.9 | 44 | | | | |

WQS Ponorné kalové čerpadlo

TABUĽKA VÝKONOV ČERPADIEL TYPU WQS

| Číslo | Typ | Priemer výstupu (mm) | Prietok | | Výtlačná výška [m] | Otáčky [ot./min] | Výkon [kW] | Účinnosť [%] | Hmotnosť [kg] |
|-------|------------------|----------------------|---------------------|-------|--------------------|------------------|------------|--------------|---------------|
| | | | [m ³ /s] | [L/s] | | | | | |
| 35 | 250WQ400-7-15 | 250 | 300 | 83.3 | 9 | 1460 | 15 | 75 | 450 |
| | | | 400 | 111.1 | 7 | | | | |
| | | | 600 | 166.7 | 5 | | | | |
| 36 | 250WQ400-10-18.5 | 230 | 300 | 83.3 | 12 | 1470 | 18.5 | 68 | 550 |
| | | | 400 | 111.1 | 10 | | | | |
| | | | 600 | 166.7 | 7 | | | | |
| 37 | 250WQ400-13-22 | 250 | 300 | 83.3 | 16 | 1470 | 22 | 68 | 580 |
| | | | 400 | 111.1 | 13 | | | | |
| | | | 600 | 166.7 | 9 | | | | |
| 38 | 250WQ500-10-30 | 250 | 400 | 111.1 | 15 | 980 | 30 | 70 | 700 |
| | | | 500 | 138.9 | 12 | | | | |
| | | | 700 | 194.4 | 8 | | | | |
| 39 | 250WQ500-16-37 | 250 | 400 | 111.1 | 18 | 980 | 37 | 70 | 780 |
| | | | 500 | 138.9 | 16 | | | | |
| | | | 700 | 194.4 | 14 | | | | |
| 40 | 250WQ500-20-45 | 250 | 400 | 111.1 | 22 | 980 | 45 | 70 | 1050 |
| | | | 500 | 138.9 | 20 | | | | |
| | | | 700 | 194.4 | 16 | | | | |
| 41 | 250WQ500-25-55 | 250 | 400 | 111.1 | 28 | 980 | 55 | 72 | 1115 |
| | | | 500 | 138.9 | 25 | | | | |
| | | | 700 | 194.4 | 19 | | | | |
| 42 | 250WQ600-28-75 | 250 | 500 | 138.9 | 31 | 1480 | 75 | 70 | 1480 |
| | | | 600 | 166.7 | 28 | | | | |
| | | | 800 | 222.2 | 23 | | | | |
| 43 | 250WQ600-34-90 | 250 | 500 | 138.9 | 37 | 1480 | 90 | 70 | 1580 |
| | | | 600 | 166.7 | 34 | | | | |
| | | | 800 | 222.2 | 27 | | | | |
| 44 | 250WQ600-40-110 | 250 | 500 | 138.9 | 43 | 1480 | 110 | 68 | 1650 |
| | | | 600 | 166.7 | 40 | | | | |
| | | | 800 | 222.2 | 33 | | | | |
| 45 | 250WQ600-50-132 | 260 | 500 | 138.9 | 53 | 1480 | 132 | 68 | 1710 |
| | | | 600 | 166.7 | 50 | | | | |
| | | | 800 | 222.2 | 40 | | | | |
| 46 | 300WQ600-6-18.5 | 300 | 500 | 138.9 | 7 | 1470 | 18.5 | 69 | 650 |
| | | | 600 | 166.7 | 6 | | | | |
| | | | 750 | 208.3 | 5 | | | | |
| 47 | 300WQ600-7-22 | 300 | 500 | 138.9 | 8 | 1470 | 22 | 69 | 680 |
| | | | 600 | 166.7 | 7 | | | | |
| | | | 750 | 208.3 | 6 | | | | |
| 48 | 300WQ700-11-30 | 300 | 550 | 152.8 | 13 | 980 | 30 | 72 | 780 |
| | | | 700 | 194.4 | 11 | | | | |
| | | | 1000 | 277.8 | 8 | | | | |
| 49 | 300WQ700-14-37 | 300 | 550 | 152.8 | 16 | 980 | 37 | 72 | 880 |
| | | | 700 | 194.4 | 14 | | | | |
| | | | 1000 | 277.8 | 10 | | | | |
| 50 | 300WQ700-16-45 | 300 | 550 | 152.8 | 18 | 980 | 45 | 72 | 1150 |
| | | | 700 | 194.4 | 16 | | | | |
| | | | 1000 | 277.8 | 12 | | | | |
| 51 | 900WQ700-19-55 | 800 | 660 | 152.8 | 21 | 980 | 55 | 70 | 1216 |
| | | | 700 | 194.4 | 19 | | | | |
| | | | 1000 | 277.8 | 14 | | | | |
| 52 | 300WQ1000-20-75 | 300 | 800 | 222.2 | 23 | 990 | 75 | 75 | 1530 |
| | | | 1000 | 277.8 | 20 | | | | |
| | | | 1400 | 388.9 | 15 | | | | |
| 53 | 300WQ1000-24-90 | 300 | 800 | 222.2 | 27 | 990 | 90 | 75 | 1650 |
| | | | 1000 | 277.8 | 24 | | | | |
| | | | 1400 | 388.9 | 18 | | | | |
| 54 | 300WQ1000-28-110 | 300 | 800 | 222.2 | 31 | 1480 | 110 | 75 | 1720 |
| | | | 1000 | 277.8 | 28 | | | | |
| | | | 1400 | 388.9 | 20 | | | | |
| 55 | 300WQ1000-35-132 | 300 | 800 | 222.2 | 38 | 1480 | 132 | 75 | 1800 |
| | | | 1000 | 277.8 | 35 | | | | |
| | | | 1400 | 388.9 | 27 | | | | |
| 56 | 350WQ1200-6-30 | 350 | 1000 | 277.8 | 7 | 730 | 30 | 75 | 850 |
| | | | 1200 | 333.3 | 6 | | | | |
| | | | 1500 | 416.7 | 5 | | | | |
| 57 | 350WQ1200-8-37 | 350 | 1000 | 277.8 | 9 | 740 | 37 | 76 | 950 |
| | | | 1200 | 333.3 | 8 | | | | |
| | | | 1500 | 416.7 | 6 | | | | |
| 58 | 350WQ1100-10-45 | 350 | 900 | 250 | 11 | 740 | 45 | 67 | 1250 |
| | | | 1100 | 305.6 | 10 | | | | |
| | | | 1500 | 416.7 | 7 | | | | |
| 59 | 350WQ1100-12-55 | 350 | 900 | 250 | 14 | 740 | 55 | 69 | 1320 |
| | | | 1100 | 305.6 | 12 | | | | |
| | | | 1500 | 416.7 | 8 | | | | |
| 60 | 350WQ1100-16-75 | 350 | 900 | 250 | 19 | 980 | 75 | 70 | 1650 |
| | | | 1100 | 305.6 | 19 | | | | |
| | | | 1500 | 416.7 | 12 | | | | |
| 61 | 350WQ1100-20-90 | 350 | 900 | 250 | 24 | 990 | 90 | 70 | 1770 |
| | | | 1100 | 305.6 | 20 | | | | |
| | | | 1500 | 416.7 | 15 | | | | |
| 62 | 350WQ1100-25-110 | 350 | 900 | 250 | 30 | 1480 | 110 | 72 | 1840 |
| | | | 1100 | 305.6 | 25 | | | | |
| | | | 1500 | 416.7 | 18 | | | | |
| 63 | 350WQ1100-30-132 | 350 | 900 | 250 | 35 | 1480 | 132 | 72 | 1920 |
| | | | 1100 | 305.6 | 30 | | | | |
| | | | 1500 | 416.7 | 24 | | | | |
| 64 | 350WQ1100-36-160 | 350 | 900 | 250 | 40 | 1480 | 160 | 70 | 2700 |
| | | | 1100 | 305.6 | 36 | | | | |
| | | | 1500 | 416.7 | 28 | | | | |
| 65 | 400WQ1500-5-30 | 400 | 1200 | 333.3 | 6 | 730 | 30 | 75 | 960 |
| | | | 1500 | 416.7 | 5 | | | | |
| | | | 2000 | 555.6 | 3 | | | | |
| 66 | 400WQ1500-6-37 | 400 | 1200 | 333.3 | 7 | 740 | 37 | 75 | 1020 |
| | | | 1500 | 416.7 | 6 | | | | |
| | | | 2000 | 555.6 | 4.5 | | | | |
| 67 | 400NJQ*500-8-45 | 400 | 1200 | 333.3 | 10 | 740 | 45 | 78 | 1350 |
| | | | 1500 | 416.7 | 8 | | | | |
| | | | 2000 | 555.6 | 6 | | | | |
| 68 | 400WQ1500-10-55 | 400 | 1200 | 333.3 | 12 | 740 | 55 | 78 | 1470 |
| | | | 1500 | 416.7 | 10 | | | | |
| | | | 2000 | 555.6 | 7 | | | | |

WQS Ponorné kalové čerpadlo

■ TABUĽKA VÝKONOV ČERPADIEL TYPU WQS

| Číslo | Typ | Priemer výstupu (mm) | Prietok | | Výtláčná výška [m] | Otáčky [ot./min] | Výkon [kW] | Účinnosť [%] | Hmotnosť [kg] |
|-------|------------------|----------------------|---------------------|--------|--------------------|------------------|------------|--------------|---------------|
| | | | [m ³ /s] | [L/s] | | | | | |
| 69 | 400WQ1500-12-76 | 400 | 1200 | 333.3 | 14 | 990 | 75 | 75 | 1740 |
| | | | 1500 | 416.7 | 12 | | | | |
| | | | 2000 | 555.6 | 9 | | | | |
| 70 | 400WQ1500-15-90 | 400 | 1200 | 333.3 | 18 | 990 | 90 | 75 | 1860 |
| | | | 1500 | 416.7 | 15 | | | | |
| | | | 2000 | 555.6 | 12 | | | | |
| 71 | 400WQ1500-18-110 | 400 | 1200 | 333.3 | 21 | 990 | 110 | 70 | 1930 |
| | | | 1500 | 416.7 | 18 | | | | |
| | | | 2000 | 555.6 | 14 | | | | |
| 72 | 400WQ1500-22-132 | 400 | 1200 | 333.3 | 25 | 990 | 132 | 70 | 2020 |
| | | | 1500 | 416.7 | 22 | | | | |
| | | | 2000 | 555.6 | 17 | | | | |
| 73 | 400WQ2000-20-160 | 400 | 1500 | 416.7 | 23 | 990 | 160 | 75 | 2750 |
| | | | 2000 | 555.6 | 20 | | | | |
| | | | 2800 | 777.8 | 15 | | | | |
| 74 | 400WQ2000-23-185 | 400 | 1500 | 416.7 | 25 | 990 | 185 | 75 | 2800 |
| | | | 2000 | 555.6 | 23 | | | | |
| | | | 2800 | 777.8 | 17 | | | | |
| 75 | 400WQ2000-25-200 | 400 | 1500 | 416.7 | 30 | 990 | 200 | 75 | 2850 |
| | | | 2000 | 555.6 | 25 | | | | |
| | | | 2800 | 777.8 | 19 | | | | |
| 76 | 400WQ2000-28-220 | 400 | 1500 | 416.7 | 35 | 990 | 220 | 75 | 3050 |
| | | | 2000 | 555.6 | 28 | | | | |
| | | | 2800 | 777.8 | 21 | | | | |
| 77 | 400WQ2000-32-250 | 400 | 1500 | 416.7 | 38 | 990 | 250 | 78 | 3250 |
| | | | 2000 | 555.6 | 32 | | | | |
| | | | 2800 | 777.8 | 25 | | | | |
| 78 | 400WQ2000-36-280 | 400 | 1500 | 416.7 | 43 | 990 | 280 | 78 | 3450 |
| | | | 2000 | 555.6 | 36 | | | | |
| | | | 2800 | 777.8 | 27 | | | | |
| 79 | 450WQ2200-10-90 | 450 | 1800 | 500 | 13 | 990 | 90 | 78 | 1920 |
| | | | 2200 | 611.1 | 10 | | | | |
| | | | 3000 | 833.3 | 7 | | | | |
| 80 | 450WQ2200-12-110 | 450 | 1800 | 500 | 15 | 990 | 110 | 75 | 1990 |
| | | | 2200 | 611.1 | 12 | | | | |
| | | | 3000 | 833.3 | 8 | | | | |
| 81 | 450WQ2200-15-132 | 450 | 1800 | 500 | 17 | 990 | 132 | 70 | 2070 |
| | | | 2200 | 611.1 | 15 | | | | |
| | | | 3000 | 833.3 | 10 | | | | |
| 82 | 500WQ2000-7-55 | 500 | 1500 | 416.7 | 10 | 590 | 55 | 80 | 1950 |
| | | | 2000 | 555.6 | 7 | | | | |
| | | | 3000 | 833.3 | 4 | | | | |
| 83 | 500WQ2200-8-75 | 500 | 1800 | 500 | 10 | 590 | 75 | 75 | 2150 |
| | | | 2200 | 611.1 | 8 | | | | |
| | | | 3000 | 833.3 | 5 | | | | |
| 84 | 500WQ3000-11-132 | 500 | 2000 | 555.6 | 14 | 745 | 132 | 78 | 2210 |
| | | | 3000 | 833.3 | 11 | | | | |
| | | | 4000 | 1111.1 | 8 | | | | |
| 85 | 500WQ3000-13-160 | 500 | 2000 | 555.6 | 21 | 745 | 160 | 78 | 2900 |
| | | | 3000 | 833.3 | 13 | | | | |
| | | | 4000 | 1111.1 | 9 | | | | |
| 86 | 500WQ3000-15-185 | 500 | 2000 | 555.6 | 22 | 745 | 185 | 75 | 2950 |
| | | | 3000 | 838.3 | 15 | | | | |
| | | | 4000 | 1111.1 | 11 | | | | |
| 87 | 500WQ3000-16-200 | 500 | 2000 | 555.6 | 23 | 745 | 200 | 75 | 3000 |
| | | | 3000 | 833.3 | 16 | | | | |
| | | | 4000 | 1111.1 | 12 | | | | |
| 88 | 500WQ3000-18-220 | 500 | 2000 | 555.6 | 26 | 745 | 220 | 70 | 3200 |
| | | | 3000 | 833.3 | 18 | | | | |
| | | | 4000 | 1111.1 | 14 | | | | |
| 89 | 500WQ3000-21-250 | 500 | 2000 | 555.6 | 29 | 745 | 250 | 70 | 3400 |
| | | | 3000 | 833.3 | 21 | | | | |
| | | | 4000 | 1111.1 | 16 | | | | |
| 90 | 500WQ3000-24-280 | 500 | 2000 | 555.6 | 32 | 745 | 280 | 70 | 3600 |
| | | | 3000 | 833.3 | 24 | | | | |
| | | | 4000 | 1111.1 | 18 | | | | |
| 91 | 600WQ2500-5-55 | 600 | 2000 | 555.5 | 7 | 590 | 55 | 75 | 2100 |
| | | | 2500 | 694.4 | 5 | | | | |
| | | | 3000 | 833.3 | 4 | | | | |
| 92 | 600WQ2500-7-75 | 600 | 2000 | 555.6 | 9 | 590 | 75 | 75 | 2315 |
| | | | 2500 | 694.4 | 7 | | | | |
| | | | 3200 | 888.9 | 5 | | | | |
| 93 | 600WQ2500-9-90 | 600 | 2000 | 555.6 | 11 | 590 | 90 | 72 | 2425 |
| | | | 2500 | 694.4 | 9 | | | | |
| | | | 3200 | 888.9 | 7 | | | | |
| 94 | 600WQ3000-8-110 | 600 | 2500 | 694.4 | 10 | 590 | 110 | 70 | 2900 |
| | | | 3000 | 833.3 | 8 | | | | |
| | | | 4000 | 1111.1 | 6 | | | | |
| 95 | 600WQ3000-10-132 | 600 | 2500 | 694.4 | 12 | 590 | 132 | 70 | 8000 |
| | | | 3000 | 833.3 | 10 | | | | |
| | | | 4000 | 1111.1 | 8 | | | | |
| 96 | 600WQ4000-10-160 | 600 | 3000 | 833.3 | 13 | 745 | 160 | 78 | 3000 |
| | | | 4000 | 1111.9 | 10 | | | | |
| | | | 5000 | 1388.9 | 8 | | | | |
| 97 | 600WQ4000-91-185 | 600 | 3000 | 833.3 | 15 | 745 | 185 | 78 | 3050 |
| | | | 4000 | 1111.1 | 11 | | | | |
| | | | 6000 | 1666.7 | 6 | | | | |
| 98 | 600WQ4000-12-200 | 600 | 3000 | 833.3 | 16 | 745 | 200 | 75 | 3100 |
| | | | 4000 | 1111.1 | 12 | | | | |
| | | | 6000 | 1666.7 | 7 | | | | |
| 99 | 600WQ4000-14-220 | 600 | 3000 | 833.3 | 18 | 745 | 220 | 75 | 3300 |
| | | | 4000 | 1111.1 | 14 | | | | |
| | | | 6000 | 1666.7 | 9 | | | | |
| 100 | 600WQ4000-16-250 | 600 | 3000 | 833.3 | 21 | 745 | 250 | 75 | 3500 |
| | | | 4000 | 1111.1 | 16 | | | | |
| | | | 6000 | 1666.7 | 10 | | | | |
| 101 | 600WQ4000-18-280 | 600 | 3000 | 833.3 | 23 | 745 | 280 | 75 | 3750 |
| | | | 4000 | 1111.1 | 18 | | | | |
| | | | 6000 | 1666.7 | 11 | | | | |
| 102 | 600WQ4000-20-315 | 600 | 3000 | 833.3 | 25 | 745 | 315 | 75 | 4000 |
| | | | 4000 | 1111.1 | 20 | | | | |
| | | | 6000 | 1666.7 | 13 | | | | |

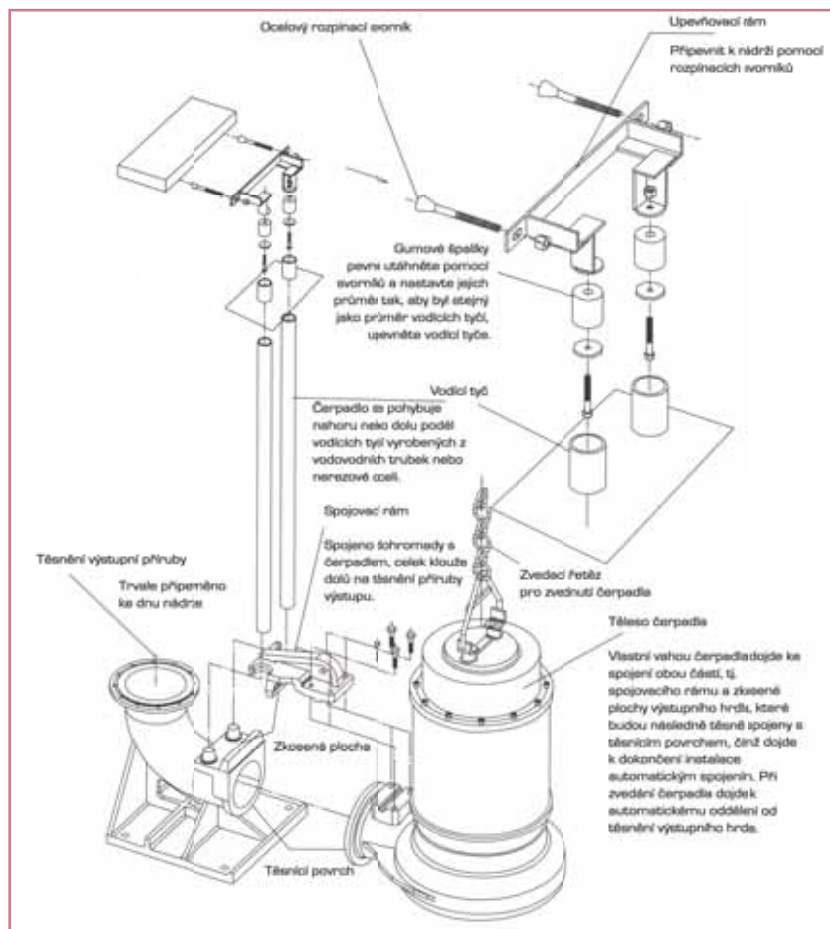
WQS Ponorné kalové čerpadlo

■ METODA MONTÁŽE PRE ČERPADLO TYPU WQS

1. Instalace čerpadla s automatickým spojením

Čerpadlo je spuštěno dolů podél vodících tyčí a automaticky připojeno ke kanalizační soustavě. Výhoda tohoto způsobu montáže spočívá v nižších nákladech na instalaci a na opravy.

SCHÉMATICKÉ ZNÁZORNĚNÍ INSTALAČNÍHO ZAŘÍZENÍ PRO AUTOMATICKÉ SPOJENÍ

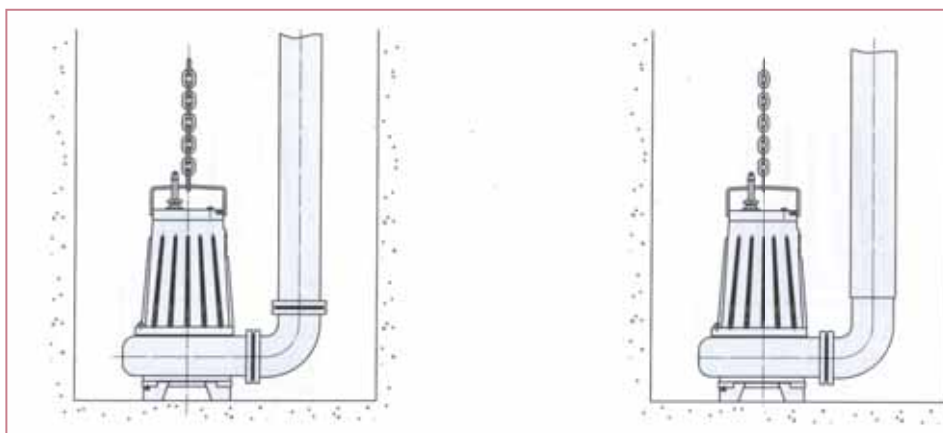


2. Instalace čerpadla na pevné potrubí s možností pohybu.

Čerpadlo spočívá vahou na základní desce, pevná příruba je připojena k systému potrubí.

3. Instalace čerpadla na pružné potrubí s možností pohybu.

Čerpadlo spočívá vahou na základní desce, pružný trubkový spoj je připojen na víceúčelový gumový výstup, umožňující jednodušou montáž. Čerpadlo může být snadno přesunuto z jedné odpadní jímky do druhé.



Montáž pohyblivé tuhé trubky

Montáž pohyblivé měkké trubky

4. Pevná suchá montáž

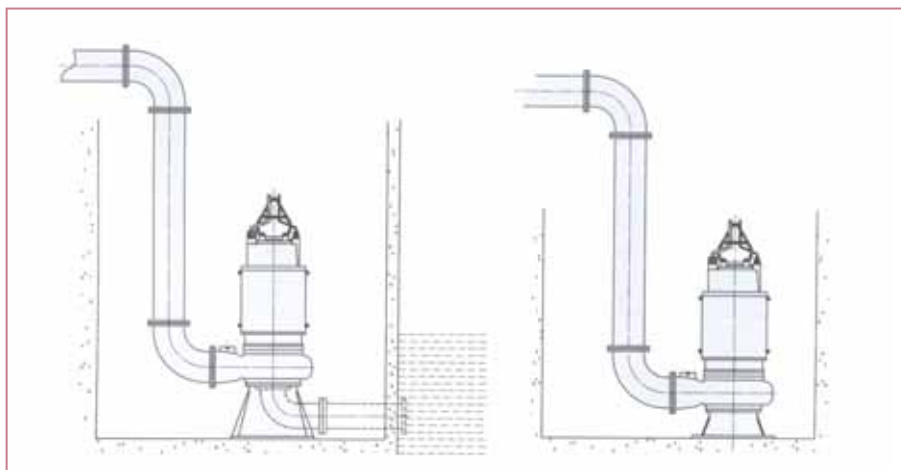
Použije se u čerpadlového systému, který je schopen zaplavení vodou a pro připojení k mokré/suché studni nebo potrubí.

5. Pevná mokrá montáž

Čerpadlo spočívá na svém základě a je připevněno ke dnu nádrže odpadních vod s výstupem připojeným k potrubí. Svislá montáž.

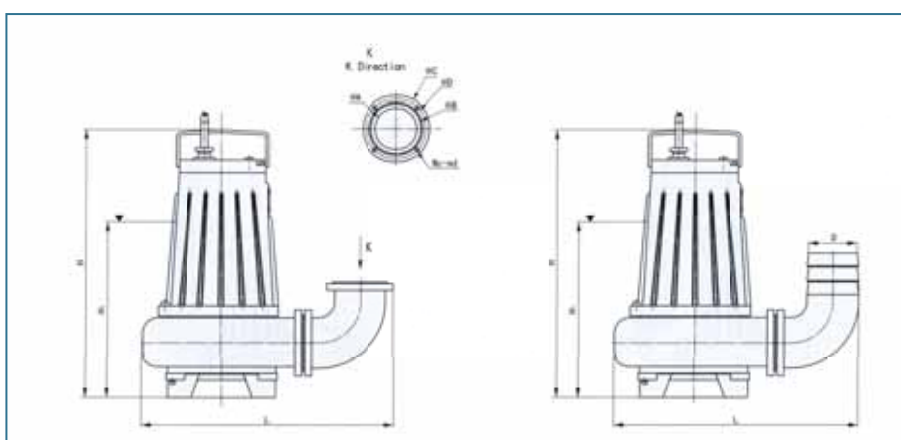
WQS Ponorné kalové čerpadlo

ROZMEROVÝ VÝKRES ČERPADLA TYPU WQS



Pevná suchá montáž

Pevná mokrá montáž



Rozmer prípojky tuhé trubky

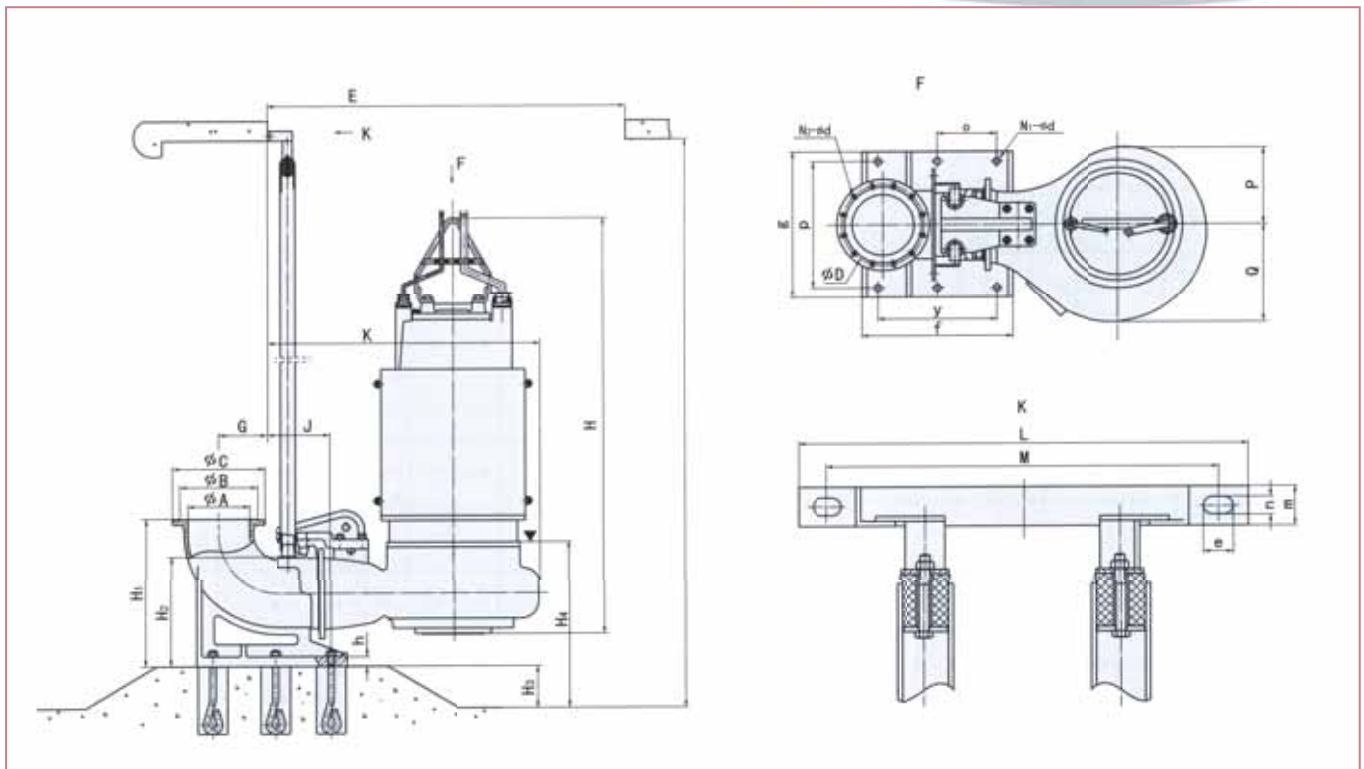
Rozmer prípojky mekké trubky

TABUĽKA ROZMEROV ČERPADLA TYPU WQS

| Číslo | Typ | Rozmery pre pripojenie na pevné potrubí | | | | | | | | Rozmery pre pripojenie na pružné potrubí | | | |
|-------|-------------------|---|-----|-----|-----|-----------|-----|-----|-----|--|-----|-----|-----|
| | | øA | øB | øC | øD | N2- ød | H | H1 | L | øD | L | H | H1 |
| 1 | 50WQ15-8-0.7b | 50 | 90 | 140 | 190 | 4 - ø13.5 | 590 | 380 | 505 | 60 | 485 | bU0 | 380 |
| 2 | 50WQ15-12-1.1 | 50 | 90 | 140 | 110 | 4 - ø13.5 | 590 | 380 | 505 | 60 | 485 | 590 | 380 |
| 3 | 50WQ15-16-1.5 | 50 | 90 | 140 | 110 | 4 - ø13.5 | 615 | 385 | 540 | 60 | 515 | 615 | 385 |
| 4 | 50WQ15-22-2.2 | 50 | 90 | 140 | 110 | 4 - ø13.5 | 615 | 385 | 540 | 60 | 515 | 615 | 385 |
| 5 | 50WQ15-30-3 | 50 | 90 | 140 | 110 | 4 - ø13.5 | 700 | 420 | 590 | 60 | 570 | 700 | 420 |
| 6 | 50WQ25-25-4 | 50 | 90 | 140 | 110 | 4 - ø13.5 | 810 | 515 | 670 | 60 | 650 | 810 | 515 |
| 7 | 50WQ25-32-5.5 | 50 | 90 | 140 | 110 | 4 - ø13.5 | 810 | 515 | 670 | 60 | 650 | 810 | 515 |
| 8 | 50WQ25-36-7.5 | 50 | 90 | 140 | 110 | 4 - ø13.5 | 810 | 515 | 670 | 60 | 650 | 810 | 515 |
| 9 | 65WQ30-10-2.2 | 65 | 110 | 160 | 130 | 4 - ø13.5 | 725 | 460 | 610 | 74 | 600 | 725 | 460 |
| 10 | 65WQ30-15-3 | 65 | 110 | 160 | 130 | 4 - ø13.5 | 725 | 460 | 610 | 74 | 600 | 725 | 460 |
| 11 | 65WQ30-22-4 | 65 | 110 | 160 | 130 | 4 - ø13.5 | 735 | 465 | 675 | 74 | 665 | 735 | 465 |
| 12 | 65WQ30-30-5.5 | 65 | 110 | 160 | 130 | 4 - ø13.5 | 810 | 515 | 675 | 74 | 665 | 810 | 515 |
| 13 | 65WQ30-35-7.5 | 65 | 110 | 960 | 130 | 4 - ø13.5 | 810 | 515 | 675 | 74 | 555 | 810 | 515 |
| 14 | 80WQ50-8-2.2 | 80 | 128 | 190 | 150 | 4 - ø17.5 | 735 | 470 | 750 | 86 | 685 | 735 | 470 |
| 15 | 80WQ50-10-3 | 80 | 128 | 190 | 150 | 4 - ø17.5 | 735 | 470 | 750 | 86 | 685 | 735 | 470 |
| 16 | 80WQ50-15-4 | 80 | 128 | 190 | 150 | 4 - ø17.5 | 735 | 470 | 750 | 86 | 685 | 735 | 470 |
| 17 | 80WQ50-20-5.5 | 80 | 128 | 190 | 150 | 4 - ø17.5 | 885 | 515 | 780 | 86 | 715 | 835 | 515 |
| 18 | 80WQ50-25-7.5 | 80 | 128 | 190 | 150 | 4 - ø17.5 | 835 | 515 | 780 | 86 | 715 | 835 | 515 |
| 19 | 100WQ80-7-3 | 100 | 148 | 210 | 170 | 4 - ø17.5 | 785 | 515 | 795 | 100 | 745 | 785 | 515 |
| 20 | 100 WQ80-10-4 | 100 | 148 | 210 | 170 | 4 - ø17.5 | 785 | 515 | 795 | 100 | 745 | 785 | 515 |
| 21 | 100 WQ80-13-5.5 | 100 | 148 | 210 | 170 | 4 - ø17.5 | 865 | 585 | 815 | 100 | 770 | 865 | 565 |
| 22 | 100WQ80-18-7.5 | 100 | 148 | 210 | 170 | 4 - ø17.5 | 865 | 565 | 815 | 100 | 770 | 865 | 565 |
| 23 | 150WQ150-7-5.5 | 150 | 202 | 265 | 225 | 8 - ø17.5 | 850 | 550 | 970 | 150 | 920 | 850 | 550 |
| 24 | 1501JQ'150-10-7.5 | 150 | 202 | 265 | 225 | 8 - ø17.5 | 850 | 550 | 970 | 150 | 920 | 850 | 550 |

WQS Ponorné kalové čerpadlo

TABUĽKA ROZMEROV ČERPADLA TYPU WQS



TABUĽKA ROZMEROV ČERPADLA TYPU WQS

| č | Typ | ø A | ø B | ø C | ø D | N ₂ - - ød | H | H ₁ | H ₂ | H ₃ | H ₄ | h | G | J | g | f | p | y | o | N ₂ - øk | P | Q | K | L | M | e | n | m | E |
|----|------------------|-----|-----|-----|-----|--------------------------|------|----------------|----------------|----------------|----------------|----|-----|-----|-----|-----|-----|-----|---|------------------------|-----|-----|------|-----|-----|----|----|----|----------------|
| 1 | 50WQ25-32-5.5 | 50 | 90 | 140 | 110 | 4- ø13.5 | 855 | 215 | 150 | 50 | 350 | 20 | 65 | 105 | 260 | 310 | 230 | 210 | - | 4-ø20 | 190 | 203 | 635 | 250 | 210 | 15 | 9 | 20 | 850 X 700 |
| 2 | 50WQ25-36-7.5 | 50 | 90 | 140 | 110 | 4- ø13.5 | 855 | 215 | 150 | 50 | 350 | 20 | 65 | 105 | 260 | 310 | 230 | 210 | - | 4-ø20 | 190 | 203 | 635 | 250 | 210 | 15 | 9 | 20 | 850 X 700 |
| 3 | 65WQ30-30-5.5 | 65 | 110 | 160 | 130 | 4- ø13.5 | 855 | 240 | 170 | 65 | 350 | 20 | 80 | 120 | 275 | 310 | 250 | 225 | - | 4-ø20 | 190 | 203 | 640 | 250 | 210 | 15 | 9 | 20 | 900 X 750 |
| 4 | 65WQ30-35-7.5 | 65 | 110 | 160 | 130 | 4- ø13.5 | 855 | 240 | 170 | 65 | 350 | 20 | 80 | 120 | 275 | 310 | 250 | 225 | - | 4-ø20 | 190 | 203 | 640 | 250 | 210 | 15 | 9 | 20 | 900 X 750 |
| 5 | 80WQ50-20-5.5 | 80 | 128 | 190 | 150 | 4- ø17.5 | 935 | 275 | 200 | 80 | 380 | 25 | 70 | 175 | 290 | 340 | 255 | 260 | - | 4-ø20 | 170 | 198 | 680 | 380 | 820 | 30 | 18 | 40 | 900 X 750 |
| 6 | 80WQ50-25-7.5 | 80 | 128 | 190 | 150 | 4- ø17.5 | 935 | 275 | 200 | 80 | 380 | 25 | 70 | 175 | 290 | 340 | 255 | 260 | - | 4-ø20 | 177 | 196 | 680 | 380 | 820 | 30 | 18 | 40 | 900 X 750 |
| 7 | 80WQ50-35-11 | 80 | 128 | 190 | 150 | 4- ø17.5 | 1210 | 275 | 200 | 80 | 380 | 25 | 70 | 175 | 290 | 340 | 255 | 260 | - | 4-ø20 | 205 | 219 | 715 | 380 | 820 | 30 | 18 | 40 | 900 X 750 |
| 8 | 80WQ50-40-15 | 80 | 128 | 190 | 150 | 4- ø17.5 | 1210 | 275 | 200 | 80 | 380 | 25 | 70 | 175 | 290 | 340 | 255 | 260 | - | 4-ø20 | 205 | 219 | 715 | 380 | 820 | 30 | 18 | 40 | 900 X 750 |
| 9 | 100WQ80-13-5.5 | 100 | 148 | 210 | 170 | 4- ø17.5 | 945 | 330 | 230 | 150 | 400 | 25 | 90 | 215 | 340 | 410 | 305 | 310 | - | 4-ø20 | 183 | 218 | 705 | 380 | 820 | 30 | 18 | 40 | 950 X 750 |
| 10 | 100WQ80-18-7.5 | 100 | 148 | 210 | 170 | 4- ø17.5 | 945 | 330 | 230 | 150 | 400 | 25 | 90 | 215 | 340 | 410 | 305 | 310 | - | 4-ø20 | 183 | 218 | 705 | 380 | 820 | 30 | 18 | 40 | 950 X 750 |
| 11 | 100WQ80-24-11 | 100 | 148 | 210 | 170 | 4- ø17.5 | 1190 | 330 | 230 | 150 | 400 | 25 | 90 | 215 | 340 | 410 | 305 | 310 | - | 4-ø20 | 194 | 216 | 735 | 380 | 820 | 30 | 18 | 40 | 950 X 750 |
| 12 | 100WQ80-32-15 | 100 | 148 | 210 | 170 | 4- ø17.5 | 1190 | 330 | 230 | 150 | 400 | 25 | 90 | 215 | 340 | 410 | 305 | 310 | - | 4-ø20 | 194 | 216 | 735 | 380 | 820 | 30 | 18 | 40 | 950 X 750 |
| 13 | 100WQ80-36-18.5 | 100 | 148 | 210 | 170 | 4- ø17.5 | 1367 | 330 | 230 | 150 | 430 | 25 | 90 | 215 | 340 | 410 | 305 | 310 | - | 4-ø20 | 246 | 267 | 840 | 380 | 820 | 30 | 18 | 40 | 1000 X 700 |
| 14 | 100WQ80-40-22 | 100 | 148 | 210 | 170 | 4- ø17.5 | 1367 | 330 | 230 | 150 | 430 | 25 | 90 | 215 | 340 | 410 | 305 | 310 | - | 4-ø20 | 246 | 267 | 840 | 380 | 820 | 30 | 18 | 40 | 1000 X 700 |
| 15 | 150WQ150-7-5.5 | 150 | 202 | 265 | 225 | 8- ø17.5 | 930 | 485 | 335 | 150 | 430 | 35 | 125 | 260 | 480 | 500 | 440 | 400 | - | 4-ø20 | 197 | 252 | 770 | 380 | 820 | 30 | 18 | 40 | 950 X 750 |
| 16 | 150WQ150-10-7.5 | 150 | 202 | 265 | 225 | 8- ø17.5 | 930 | 485 | 335 | 150 | 430 | 35 | 125 | 260 | 480 | 500 | 440 | 400 | - | 4-ø20 | 197 | 252 | 770 | 380 | 820 | 30 | 18 | 40 | 950 X 750 |
| 17 | 150WQ150-15-11 | 150 | 202 | 265 | 225 | 8- ø17.5 | 1200 | 485 | 335 | 150 | 430 | 35 | 125 | 260 | 480 | 500 | 440 | 400 | - | 4-ø20 | 203 | 254 | 773 | 380 | 820 | 30 | 18 | 40 | 950 X 750 |
| 18 | 150WQ150-20-15 | 150 | 202 | 265 | 225 | 8- ø17.5 | 1200 | 485 | 335 | 150 | 430 | 35 | 125 | 260 | 480 | 500 | 440 | 400 | - | 4-ø20 | 203 | 254 | 773 | 380 | 820 | 30 | 18 | 40 | 950 X 750 |
| 19 | 150WQ150-25-18.5 | 150 | 202 | 265 | 225 | 8- ø17.5 | 1397 | 485 | 335 | 150 | 500 | 35 | 125 | 260 | 480 | 500 | 440 | 400 | - | 4-ø20 | 233 | 262 | 840 | 380 | 820 | 30 | 18 | 40 | 1100 X 800 |
| 20 | 150WQ150-30-22 | 150 | 202 | 265 | 225 | 8- ø17.5 | 1397 | 485 | 335 | 150 | 500 | 35 | 125 | 260 | 480 | 500 | 440 | 400 | - | 4-ø20 | 233 | 262 | 840 | 380 | 820 | 30 | 18 | 40 | 1100 X 800 |
| 21 | 150WQ150-40-30 | 150 | 202 | 265 | 225 | 8- ø17.5 | 1705 | 485 | 335 | 150 | 530 | ø5 | 125 | 260 | 480 | 500 | 440 | 400 | - | 4-ø20 | 356 | 378 | 1112 | 380 | 820 | 30 | 18 | 40 | 1300 X 1000 |
| 22 | 150WQ150-45-37 | 150 | 202 | 265 | 225 | 8- ø17.5 | 1705 | 485 | 335 | 150 | 530 | 35 | 125 | 260 | 480 | 500 | 440 | 400 | - | 4-ø20 | 356 | 378 | 1112 | 380 | 820 | 30 | 18 | 40 | 1300 X 1000 |

WQS Ponorné kalové čerpadlo

■ TABUĽKA ROZMEROV ČERPADLA TYPU WQS

| č | Typ | ø A | ø B | ø C | ø D | N ₂ - ød | H | H ₁ | H ₂ | H ₃ | H ₄ | h | G | J | g | f | p | y | o | N ₂ - øk | P | Q | K | L | M | e | n | m | E |
|----|------------------|-----|-----|-----|-----|------------------------|------|----------------|----------------|----------------|----------------|----|-----|-----|-----|------|-----|-----|---|------------------------|-----|-----|------|-----|-----|----|----|----|-------------|
| 23 | 150WQ150-50-45 | 150 | 202 | 265 | 225 | 8-ø17.5 | 1845 | 485 | 335 | 150 | 530 | 35 | 125 | 260 | 480 | 500 | 440 | 400 | - | 4-ø20 | 356 | 378 | 1112 | 380 | 320 | 30 | 18 | 40 | 1400 X 1100 |
| 24 | 150WQ100-60-55 | 150 | 202 | 265 | 225 | 8-ø17.5 | 1845 | 485 | 335 | 150 | 530 | 35 | 125 | 260 | 480 | 500 | 440 | 400 | - | 4-ø20 | 356 | 378 | 1112 | 380 | 320 | 30 | 18 | 40 | 1400 X 1100 |
| 25 | 200WQ300-7-11 | 200 | 260 | 320 | 280 | 8-ø17.5 | 1300 | r570 | 405 | 200 | 600 | 30 | 200 | 260 | 550 | 610 | 500 | 470 | - | 4-ø30 | 212 | 295 | 765 | 460 | 400 | 30 | 18 | 40 | 1000 X 700 |
| 26 | 200WQ300-10-15 | 200 | 260 | 320 | 280 | 8-ø17.5 | 1300 | 570 | 405 | 200 | 600 | 30 | 200 | 260 | 550 | 610 | 500 | 470 | - | 4-ø30 | 212 | 295 | 765 | 460 | 400 | 30 | 18 | 40 | 1000 X 700 |
| 27 | 200WQ300-13-18.5 | 200 | 260 | 320 | 280 | 8-ø17.5 | 1700 | 570 | 405 | 200 | 600 | 30 | 200 | 260 | 550 | 610 | 500 | 470 | - | 4-ø30 | 230 | 300 | 880 | 460 | 400 | 30 | 18 | 40 | 1150 X 900 |
| 28 | 200WQ300-15-22 | 200 | 260 | 320 | 280 | 8-ø17.5 | 1700 | 570 | 405 | 200 | 600 | 30 | 200 | 260 | 550 | 610 | 500 | 470 | - | 4-ø30 | 230 | 300 | 880 | 460 | 400 | 30 | 18 | 40 | 1150 X 900 |
| 29 | 200WQ300-20-30 | 200 | 260 | 320 | 280 | 8-ø17.5 | 1717 | 570 | 405 | 200 | 670 | 30 | 200 | 260 | 550 | 610 | 500 | 470 | - | 4-ø30 | 309 | 376 | 1042 | 460 | 400 | 30 | 18 | 40 | 1300 X 1000 |
| 30 | 200WQ300-25-37 | 200 | 260 | 320 | 280 | 8-ø17.5 | 1717 | 570 | 405 | 200 | 670 | 30 | 200 | 260 | 550 | 610 | 500 | 470 | - | 4-ø30 | 309 | 376 | 1042 | 460 | 400 | 30 | 18 | 40 | 1300 X 1000 |
| 31 | 200WQ400-27-45 | 200 | 260 | 320 | 280 | 8-ø17.5 | 1885 | 570 | 405 | 200 | 670 | 30 | 200 | 260 | 550 | 610 | 500 | 470 | - | 4-ø30 | 332 | 368 | 1100 | 460 | 400 | 30 | 18 | 40 | 1300 X 1000 |
| 32 | 200WQ400-34-55 | 200 | 260 | 320 | 280 | 8-ø17.5 | 1885 | 570 | 405 | 200 | 670 | 30 | 200 | 260 | 550 | 610 | 500 | 470 | - | 4-ø30 | 332 | 368 | 1100 | 460 | 400 | 30 | 18 | 40 | 1300 X 1000 |
| 33 | 200WQ400-40-75 | 200 | 260 | 320 | 280 | 8-ø17.5 | 2120 | 570 | 405 | 250 | 695 | 30 | 200 | 260 | 550 | 610 | 500 | 470 | - | 4-ø30 | 362 | 398 | 1180 | 460 | 400 | 30 | 18 | 40 | 1400 X 1100 |
| 34 | 200WQ400-48-90 | 200 | 260 | 320 | 280 | 8-ø17.5 | 2120 | 570 | 405 | 250 | 695 | 30 | 200 | 260 | 550 | 610 | 500 | 470 | - | 4-ø30 | 362 | 398 | 1180 | 460 | 400 | 30 | 18 | 40 | 1400 X 1100 |
| 35 | 250UdQ400-7-15 | 250 | 312 | 375 | 335 | 12-ø17.5 | 1300 | 610 | 450 | 250 | 650 | 40 | 200 | 260 | 600 | 610° | 520 | 480 | - | 4-ø30 | 230 | 300 | 960 | 460 | 400 | 30 | 18 | 40 | 1150 X 900 |
| 36 | 250WQ400-10-18.5 | 250 | 312 | 375 | 335 | 12-ø17.5 | 1700 | 610 | 450 | 250 | 650 | 40 | 200 | 260 | 600 | 610 | 520 | 480 | - | 4-ø30 | 230 | 300 | 960 | 460 | 400 | 30 | 18 | 40 | 1150 X 900 |
| 37 | 250WQ400-13-22 | 250 | 312 | 375 | 335 | 12-ø17.5 | 1700 | 610 | 450 | 250 | 650 | 40 | 200 | 260 | 600 | 610 | 520 | 480 | - | 4-ø30 | 230 | 300 | 960 | 460 | 400 | 30 | 18 | 40 | 1150 X 900 |
| 38 | 250WQ500-10-30 | 250 | 312 | 375 | 335 | 12-ø17.5 | 1717 | 610 | 450 | 250 | 740 | 40 | 200 | 260 | 600 | 610 | 520 | 480 | - | 4-ø30 | 319 | 404 | 1120 | 460 | 400 | 30 | 18 | 40 | 1300 X 1000 |
| 39 | 250WQ500-16-37 | 250 | 312 | 375 | 335 | 12-ø17.5 | 1717 | 610 | 450 | 250 | 740 | 40 | 200 | 260 | 600 | 610 | 520 | 480 | - | 4-ø30 | 319 | 404 | 1120 | 460 | 400 | 30 | 18 | 40 | 1300 X 1000 |
| 40 | 250WQ500-20-45 | 250 | 312 | 375 | 335 | 12-ø17.5 | 1857 | 610 | 450 | 250 | 740 | 40 | 200 | 260 | 600 | 610 | 520 | 480 | - | 4-ø30 | 319 | 404 | 1120 | 460 | 400 | 30 | 18 | 40 | 1400 X 1100 |
| 41 | 250WQ500-25-55 | 250 | 312 | 375 | 335 | 12-ø17.5 | 1857 | 610 | 450 | 250 | 740 | 40 | 200 | 260 | 600 | 610 | 520 | 480 | - | 4-ø30 | 319 | 404 | 1120 | 460 | 400 | 30 | 18 | 40 | 1400 X 1100 |
| 42 | 250WQ600-28-75 | 250 | 312 | 375 | 335 | 12-ø17.5 | 2120 | 610 | 450 | 250 | 740 | 40 | 200 | 260 | 600 | 610 | 520 | 480 | - | 4-ø30 | 387 | 403 | 1185 | 460 | 400 | 30 | 18 | 40 | 1600 X 1300 |
| 43 | 250WQ600-34-90 | 250 | 312 | 375 | 335 | 12-ø17.5 | 2120 | 610 | 450 | 250 | 740 | 40 | 200 | 260 | 600 | 610 | 520 | 480 | - | 4-ø30 | 367 | 403 | 1185 | 460 | 400 | 30 | 18 | 40 | 1600 X 1300 |
| 44 | 250WQ600-40-110 | 250 | 312 | 375 | 335 | 12-ø17.5 | 2120 | 610 | 450 | 250 | 740 | 40 | 200 | 260 | 600 | 610 | 520 | 480 | - | 4-ø30 | 367 | 403 | 1185 | 460 | 400 | 30 | 18 | 40 | 1600 X 1300 |
| 45 | 250WQ600-50-132 | 250 | 312 | 375 | 335 | 12-ø17.5 | 2120 | 610 | 450 | 250 | 740 | 40 | 200 | 260 | 600 | 610 | 520 | 480 | - | 4-ø30 | 367 | 403 | 1185 | 460 | 400 | 30 | 18 | 40 | 1600 X 1300 |
| 46 | 300WQ600-6-18.5 | 300 | 365 | 440 | 395 | 12-ø22 | 1700 | 720 | 545 | 250 | 700 | 45 | 250 | 330 | 880 | 870 | 780 | 770 | - | 4-ø30 | 230 | 300 | 1000 | 460 | 400 | 30 | 18 | 40 | 1150 X 950 |
| 47 | 300WQ600-7-22 | 300 | 365 | 440 | 395 | 12-ø22 | 1700 | 720 | 545 | 250 | 700 | 45 | 250 | 330 | 880 | 870 | 780 | 770 | - | 4-ø30 | 230 | 300 | 1000 | 460 | 400 | 30 | 18 | 40 | 1150 X 950 |
| 48 | 300WQ700-11-30 | 300 | 365 | 440 | 395 | 12-ø22 | 1940 | 720 | 545 | 300 | 700 | 45 | 250 | 330 | 880 | 870 | 780 | 770 | - | 4-ø30 | 327 | 430 | 1185 | 460 | 400 | 30 | 18 | 40 | 1400 X 1100 |
| 49 | 300WQ700-14-37 | 300 | 365 | 440 | 395 | 12-ø22 | 1940 | 720 | 545 | 300 | 700 | 45 | 250 | 330 | 880 | 870 | 780 | 770 | - | 4-ø30 | 327 | 430 | 1185 | 460 | 400 | 30 | 18 | 40 | 1400 X 1100 |
| 50 | 300WQ700-16-45 | 300 | 365 | 440 | 395 | 12-ø22 | 2000 | 720 | 545 | 300 | 700 | 45 | 250 | 330 | 880 | 870 | 780 | 770 | - | 4-ø30 | 344 | 454 | 1205 | 460 | 400 | 30 | 18 | 40 | 1400 X 1100 |
| 51 | 300WQ700-19-55 | 300 | 365 | 440 | 395 | 12-ø22 | 2000 | 720 | 545 | 300 | 700 | 45 | 250 | 330 | 880 | 870 | 780 | 770 | - | 4-ø30 | 344 | 454 | 1205 | 460 | 400 | 30 | 18 | 40 | 1400 X 1100 |
| 52 | 300WQ1000-20-75 | 300 | 365 | 440 | 395 | 12-ø22 | 2520 | 720 | 545 | 300 | 730 | 45 | 250 | 330 | 880 | 870 | 780 | 770 | - | 4-ø30 | 384 | 464 | 1282 | 460 | 400 | 30 | 18 | 40 | 1600 X 1300 |
| 53 | 300WQ1000-24-90 | 300 | 365 | 440 | 395 | 12-ø22 | 2520 | 720 | 545 | 300 | 730 | 45 | 250 | 330 | 880 | 870 | 780 | 770 | - | 4-ø30 | 384 | 464 | 1282 | 460 | 400 | 30 | 18 | 40 | 1600 X 1300 |
| 54 | 300WQ1000-28-110 | 300 | 365 | 440 | 395 | 12-ø22 | 2520 | 720 | 545 | 300 | 730 | 45 | 250 | 330 | 880 | 870 | 780 | 770 | - | 4-ø30 | 384 | 464 | 1282 | 460 | 400 | 30 | 18 | 40 | 1600 X 1300 |
| 55 | 300WQ1000-35-132 | 300 | 365 | 440 | 395 | 12-ø22 | 2520 | 720 | 545 | 300 | 730 | 45 | 250 | 330 | 880 | 870 | 780 | 770 | - | 4-ø30 | 384 | 464 | 1282 | 460 | 400 | 30 | 18 | 40 | 1600 X 1300 |
| 56 | 350WQ1200-6-30 | 350 | 415 | 490 | 445 | 12-ø22 | 1842 | 820 | 615 | 350 | 900 | 45 | 335 | 315 | 880 | 870 | 780 | 770 | - | 4-ø30 | 363 | 499 | 1298 | 640 | 580 | 30 | 18 | 60 | 1600 X 1300 |
| 57 | 350WQ1200-8-37 | 350 | 415 | 490 | 445 | 12-ø22 | 1842 | 820 | 615 | 350 | 900 | 45 | 335 | 315 | 880 | 870 | 780 | 770 | - | 4-ø30 | 363 | 499 | 1298 | 640 | 580 | 30 | 18 | 60 | 1600 X 1300 |
| 58 | 350WQ1100-10-45 | 350 | 415 | 490 | 445 | 12-ø22 | 1945 | 820 | 615 | 350 | 900 | 45 | 335 | 315 | 880 | ø170 | 780 | 770 | - | 4-ø30 | 363 | 499 | 1298 | 640 | 580 | 30 | 18 | 60 | 1600 X 1300 |
| 59 | 350WQ1100-12-55 | 350 | 415 | 490 | 445 | 12-ø22 | 1945 | 820 | 615 | 350 | 900 | 45 | 335 | 315 | 880 | 870 | 780 | 770 | - | 4-ø30 | 363 | 499 | 1298 | 640 | 580 | 30 | 18 | 60 | 1600 X 1300 |
| 60 | 350WQ1100-16-75 | 350 | 415 | 490 | 445 | 12-ø22 | 2740 | 820 | 615 | 350 | 900 | 45 | 335 | 315 | 880 | 870 | 780 | 770 | - | 4-ø30 | 384 | 464 | 1282 | 640 | 580 | 30 | 18 | 60 | 1700 X 1400 |
| 61 | 350WQ1100-20-90 | 350 | 415 | 490 | 445 | 12-ø22 | 2740 | 820 | 615 | 350 | 900 | 45 | 335 | 315 | 880 | 870 | 780 | 770 | - | 4-ø30 | 384 | 464 | 1282 | 640 | 580 | 30 | 18 | 60 | 1700 X 1400 |
| 62 | 350WQ1100-25-110 | 350 | 415 | 490 | 445 | 12-ø22 | 2740 | 820 | 615 | 350 | 900 | 45 | 335 | 315 | 880 | 870 | 780 | 770 | - | 4-ø30 | 384 | 464 | 1282 | 640 | 580 | 30 | 18 | 60 | 1700 X 1400 |
| 63 | 350WQ1100-30-132 | 350 | 415 | 490 | 445 | 12-ø22 | 2740 | 820 | 615 | 350 | 900 | 45 | 335 | 315 | 880 | 870 | 780 | 770 | - | 4-ø30 | 384 | 464 | 1282 | 640 | 580 | 30 | 18 | 60 | 1700 X 1400 |
| 64 | 350WQ1100-36-160 | 350 | 415 | 490 | 445 | 12-ø22 | 3150 | 820 | 615 | 350 | 900 | 45 | 335 | 315 | 880 | 870 | 780 | 770 | - | 4-ø30 | 475 | 555 | 1590 | 640 | 580 | 30 | 18 | 80 | 1900 X 1500 |

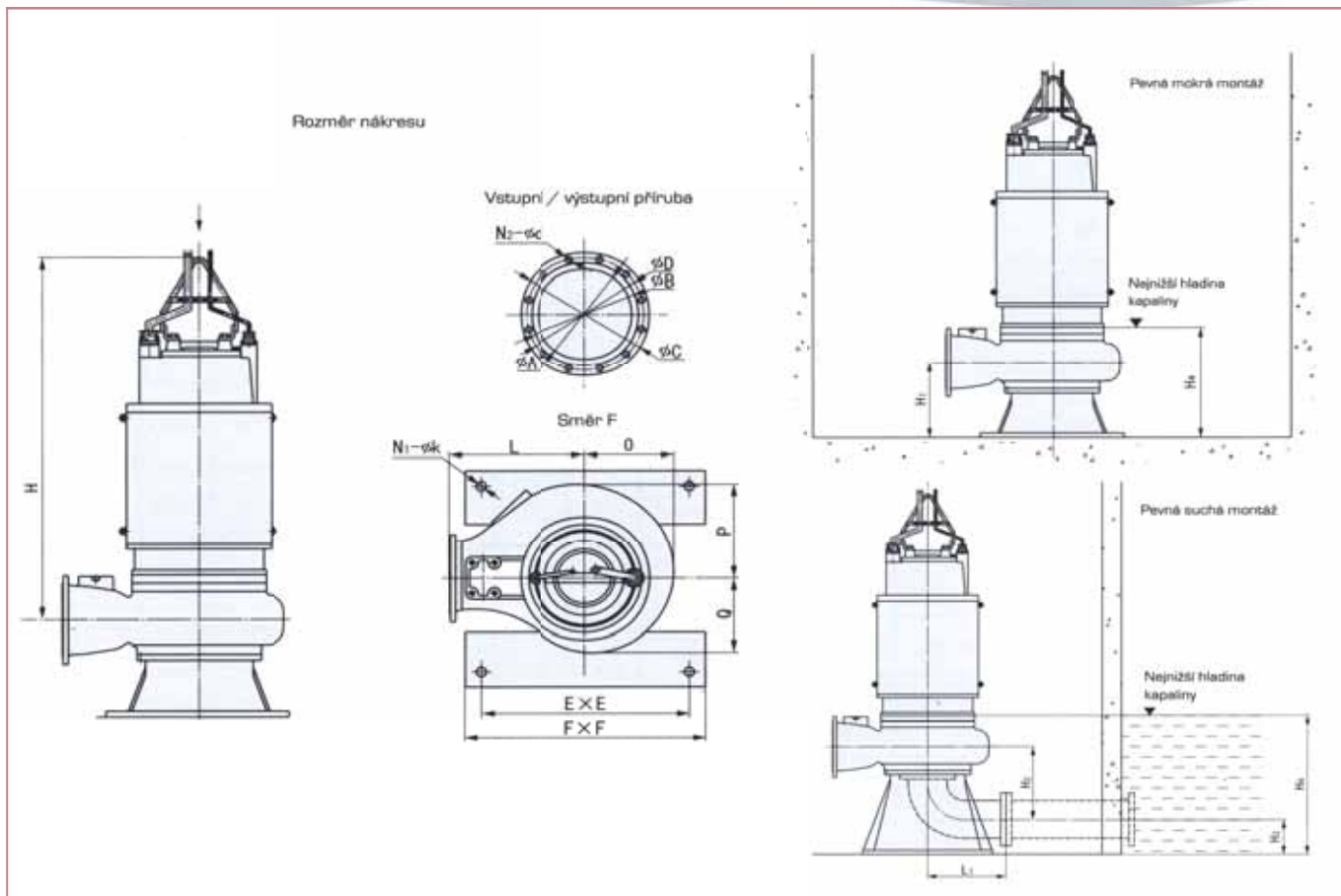
WQS Ponorné kalové čerpadlo

■ TABUĽKA ROZMEROV ČERPADLA TYPU WQS

| č | Typ | ∅ A | ∅ B | ∅ C | ∅ D | N ₂ - ∅d | H | H ₁ | H ₂ | H ₃ | H ₄ | h | G | J | g | f | p | y | o | N ₂ - ∅k | P | Q | K | L | M | e | n | m | E |
|-----|------------------|--------|--------|--------|--------|---------------------------|------|----------------|----------------|----------------|----------------|----|-----|-----|--------------------|------|------|------|-----|---------------------------|-----|-----|------|-----|-----|----|----|----|-------------|
| 65 | 400WQ1500-5-30 | 400 | 482 | 565 | 515 | 16-∅26 | 1842 | 940 | 720 | 400 | 950 | 50 | 480 | 370 | 880 | 950 | 780 | 850 | 425 | 6-∅40 | 377 | 533 | 1375 | 640 | 580 | 30 | 18 | 60 | 1600 X 1300 |
| 66 | 400WQ1500-6-37 | 400 | 482 | 565 | 515 | 16-∅26 | 1945 | 940 | 720 | 400 | 950 | 50 | 480 | 370 | 880 | 950 | 780 | 850 | 425 | 6-∅40 | 377 | 533 | 1375 | 640 | 580 | 30 | 18 | 60 | 1600 X 1300 |
| 67 | 400WQ1500-8-45 | 400 | 482 | 565 | 515 | 16-∅26 | 1945 | 940 | 720 | 400 | 950 | 50 | 480 | 370 | 880 | 950 | 780 | 850 | 425 | 6-∅40 | 377 | 533 | 1375 | 640 | 580 | 30 | 18 | 60 | 1600 X 1300 |
| 68 | 400WQ1500-10-55 | 400 | 482 | 565 | 515 | 16-∅26 | 1945 | 940 | 720 | 400 | 950 | 50 | 480 | 370 | 880 | 950 | 780 | 850 | 425 | 6-∅40 | 377 | 533 | 1375 | 640 | 580 | 30 | 18 | 60 | 1600 X 1300 |
| 69 | 400WQ1500-12-75 | 400 | 482 | 565 | 515 | 16-∅26 | 2740 | 940 | 720 | 400 | 1000 | 50 | 480 | 370 | 880 | 950 | 780 | 850 | 425 | 6-∅40 | 367 | 507 | 1355 | 640 | 580 | 30 | 18 | 60 | 1700 X 1400 |
| 70 | 400WQ1500-15-90 | 400 | 482 | 565 | 515 | 16-∅26 | 2740 | 940 | 720 | 400 | 1000 | 50 | 480 | 370 | 880 | 950 | 780 | 850 | 425 | 6-∅40 | 367 | 507 | 1355 | 640 | 580 | 30 | 18 | 60 | 1700 X 1400 |
| 71 | 400WQ1500-18-110 | 400 | 482 | 565 | 515 | 16-∅26 | 2740 | 940 | 720 | 400 | 1000 | 50 | 480 | 370 | 880 | 950 | 780 | 850 | 425 | 6-∅40 | 367 | 507 | 1355 | 640 | 580 | 30 | 18 | 60 | 1700 X 1400 |
| 72 | 400WQ1500-22-132 | 400 | 482 | 565 | 515 | 16-∅26 | 2740 | 940 | 720 | 400 | 1000 | 50 | 480 | 370 | 880 | 950 | 780 | 850 | 425 | 6-∅40 | 367 | 507 | 1355 | 640 | 580 | 30 | 18 | 60 | 1700 X 1400 |
| 73 | 400WQ2000-20-160 | 400 | 482 | 565 | 515 | 16-∅26 | 3150 | 940 | 720 | 400 | 1000 | 50 | 480 | 370 | 880 | 950 | 780 | 850 | 425 | 6-∅40 | 475 | 615 | 1611 | 640 | 580 | 30 | 18 | 60 | 1900 X 1500 |
| 74 | 400WQ2000-23-185 | 400 | 482 | 565 | 515 | 16-∅26 | 3150 | 940 | 720 | 400 | 1000 | 50 | 480 | 370 | 880 | 950 | 780 | 850 | 425 | 6-∅40 | 475 | 615 | 1611 | 640 | 580 | 30 | 18 | 60 | 1900 X 1500 |
| 75 | 400WQ2000-25-200 | 400 | 482 | 565 | 515 | 16-∅26 | 3150 | 940 | 720 | 400 | 1000 | 50 | 480 | 370 | 880 | 950 | 780 | 850 | 425 | 6-∅40 | 475 | 615 | 1611 | 640 | 580 | 30 | 18 | 60 | 1900 X 1500 |
| 76 | 400WQ2000-28-220 | 400 | 482 | 565 | 515 | 16-∅26 | 3200 | 940 | 720 | 400 | 1000 | 50 | 480 | 370 | 880 | 950 | 780 | 850 | 425 | 6-∅40 | 535 | 690 | 1786 | 640 | 580 | 30 | 18 | 60 | 1900 X 1500 |
| 77 | 400WQ2000-32-250 | 400 | 482 | 565 | 515 | 16-∅26 | 3200 | 940 | 720 | 400 | 1000 | 50 | 480 | 370 | 880 | 950 | 780 | 850 | 425 | 6-∅40 | 535 | 690 | 1786 | 640 | 580 | 30 | 18 | 60 | 1900 X 1500 |
| 78 | 400WQ2000-36-280 | 400 | 482 | 565 | 515 | 16-∅26 | 3200 | 940 | 720 | 400 | 1000 | 50 | 480 | 370 | 880 | 950 | 780 | 850 | 425 | 6-∅40 | 535 | 690 | 1786 | 640 | 580 | 30 | 18 | 60 | 1900 X 1500 |
| 79 | 450WQ2200-10-90 | 450 | 532 | 615 | 565 | 20-∅26 | 2225 | 1090 | 800 | 450 | 1000 | 55 | 475 | 350 | 1210 | 1300 | 1090 | 1180 | 590 | 6-∅50 | 399 | 574 | 1481 | 640 | 580 | 30 | 18 | 60 | 1700 X 1400 |
| 80 | 450WQ2200-12-110 | 450 | 532 | 615 | 565 | 20-∅26 | 2225 | 1090 | 800 | 450 | 1000 | 55 | 475 | 350 | 1210 | 1300 | 1090 | 1180 | 590 | 6-∅50 | 399 | 574 | 1481 | 640 | 580 | 30 | 18 | 80 | 1700 X 1400 |
| 81 | 450WQ2200-15-132 | 450 | 532 | 615 | 565 | 20-∅26 | 2225 | 1090 | 800 | 450 | 1000 | 55 | 475 | 350 | 12 [°] ∅J | 1300 | 1090 | 1180 | 590 | 6-∅50 | 399 | 574 | 1481 | 640 | 580 | 30 | 18 | 60 | 1700 X 1400 |
| 82 | 500WQ2000-7-55 | 500 | 585 | 670 | 620 | 20-∅26 | 2300 | 1120 | 835 | 500 | 1100 | 55 | 510 | 355 | 1210 | 1300 | 1090 | 1180 | 590 | 6-∅50 | 575 | 815 | 2000 | 640 | 580 | 30 | 18 | 60 | 1900 X 1600 |
| 83 | 500WQ2200-8-75 | 500 | 585 | 670 | 620 | 20-∅26 | 2300 | 1120 | 835 | 500 | 1100 | 55 | 510 | 355 | 1210 | 1300 | 1090 | 1180 | 590 | 6-∅50 | 575 | 815 | 2000 | 640 | 580 | 30 | 18 | 60 | 1900 X 1600 |
| 84 | 500WQ3000-11-132 | 500 | 585 | 670 | 620 | 20-∅26 | 2500 | 1120 | 835 | 500 | 1100 | 55 | 510 | 355 | 1210 | 1300 | 1090 | 1180 | 590 | 6-∅50 | 575 | 815 | 2000 | 640 | 580 | 30 | 18 | 60 | 1900 X 1600 |
| 85 | 500WQ3000-13-160 | 500 | 585 | 670 | 620 | 20-∅26 | 2500 | 1120 | 835 | 500 | 1100 | 55 | 510 | 355 | 1210 | 1300 | 1090 | 1180 | 590 | 6-∅50 | 575 | 815 | 2000 | 640 | 580 | 30 | 18 | 60 | 1900 X 1600 |
| 86 | 500WQ3000-15-185 | 500 | 585 | 670 | 620 | 20-∅26 | 2500 | 1120 | 835 | 500 | 1100 | 55 | 510 | 355 | 1210 | 1300 | 1090 | 1180 | 590 | 6-∅50 | 575 | 815 | 2000 | 640 | 580 | 30 | 18 | 60 | 1900 X 1600 |
| 87 | 500WQ3000-16-200 | 500 | 585 | 670 | 620 | 20-∅26 | 2500 | 1120 | 835 | 500 | 1100 | 55 | 510 | 355 | 1210 | 1300 | 1090 | 1180 | 590 | 6-∅50 | 575 | 815 | 2000 | 640 | 580 | 30 | 18 | 60 | 1900 X 1600 |
| 88 | 500WQ3000-18-220 | 500 | 585 | 670 | 620 | 20-∅26 | 2780 | 1120 | 835 | 500 | 1100 | 55 | 510 | 355 | 1210 | 1300 | 1090 | 1180 | 590 | 6-∅50 | 555 | 740 | 1940 | 640 | 580 | 30 | 18 | 60 | 2100 X 1800 |
| 89 | 500WQ3000-21-250 | 500 | 585 | 670 | 620 | 20-∅26 | 2780 | 1120 | 835 | 500 | 1100 | 55 | 510 | 355 | 1210 | 1300 | 1090 | 1180 | 590 | 6-∅50 | 555 | 740 | 1940 | 640 | 580 | 30 | 18 | 60 | 2100 X 1800 |
| 90 | 500WQ3000-24-280 | 500 | 585 | 670 | 620 | 20-∅26 | 2780 | 1120 | 835 | 500 | 1100 | 55 | 510 | 355 | 1210 | 1300 | 1090 | 1180 | 590 | 6-∅50 | 555 | 740 | 1940 | 640 | 580 | 30 | 18 | 60 | 2100 X 1800 |
| 91 | 600WQ2500-5-55 | 600 | 685 | 780 | 725 | 20-∅30 | 2300 | 1280 | 960 | 600 | 1530 | 55 | 540 | 475 | 1210 | 1300 | 1090 | 1180 | 590 | 6-∅50 | 575 | 815 | 2000 | 640 | 580 | 30 | 18 | 60 | 1900 X 1600 |
| 92 | 600WQ2500-7-75 | 600 | 685 | 780 | 725 | 20-∅30 | 3200 | 1280 | 960 | 600 | 1530 | 55 | 540 | 475 | 1210 | 1300 | 1090 | 1180 | 590 | 6-∅50 | 575 | 815 | 2000 | 640 | 580 | 30 | 18 | 60 | 2200 X 1900 |
| 93 | 600WQ2500-9-90 | 600 | 685 | 780 | 725 | 20-∅30 | 3200 | 1280 | 960 | 600 | 1530 | 55 | 540 | 475 | 1210 | 1300 | 1090 | 1180 | 590 | 6-∅50 | 575 | 815 | 2000 | 640 | 580 | 30 | 18 | 60 | 2200 X 1900 |
| 94 | 600WQ3000-8-110 | 600 | 685 | 780 | 725 | 20-∅30 | 3200 | 1280 | 960 | 600 | 1530 | 55 | 540 | 475 | 1210 | 1300 | 1090 | 1180 | 590 | 6-∅50 | 575 | 815 | 2000 | 640 | 580 | 30 | 18 | 60 | 2200 X 1900 |
| 95 | 600WQ3000-10-132 | 600 | 685 | 780 | 725 | 20-∅30 | 3200 | 1280 | 960 | 600 | 1530 | 55 | 540 | 475 | 1210 | 1300 | 1090 | 1180 | 590 | 6-∅50 | 575 | 815 | 2000 | 640 | 580 | 30 | 18 | 80 | 2200 X 1900 |
| 96 | 600WQ4000-10-160 | 600 | 685 | 780 | 725 | 20-∅30 | 3200 | 1280 | 960 | 600 | 1530 | 55 | 540 | 475 | 1210 | 1300 | 1090 | 1180 | 590 | 6-∅50 | 575 | 815 | 2000 | 640 | 580 | 30 | 18 | 60 | 2200 X 1900 |
| 97 | 600WQ4000-11-185 | 600 | 685 | 780 | 725 | 20-∅30 | 3200 | 1280 | 960 | 600 | 1530 | 55 | 540 | 475 | 1210 | 1300 | 1090 | 1180 | 590 | 6-∅50 | 575 | 815 | 2000 | 640 | 580 | 30 | 18 | 60 | 2200 X 1900 |
| 98 | 600WQ4000-12-200 | 600 | 685 | 780 | 725 | 20-∅30 | 3200 | 1280 | 960 | 600 | 1530 | 55 | 540 | 475 | 1210 | 1300 | 1090 | 1180 | 590 | 6-∅50 | 575 | 815 | 2000 | 640 | 580 | 30 | 18 | 60 | 2200 X 1900 |
| 99 | 600WQ4000-14-220 | 600 | 685 | 780 | 725 | 20-∅30 | 3290 | 1280 | 960 | 600 | 1530 | 55 | 540 | 475 | 1210 | 1300 | 1090 | 1180 | 590 | 6-∅50 | 552 | 802 | 1902 | 640 | 580 | 30 | 18 | 60 | 2200 X 1900 |
| 100 | 600WQ4000-16-250 | 600 | 685 | 780 | 725 | 20-∅30 | 3290 | 1280 | 960 | 600 | 1530 | 55 | 540 | 475 | 1210 | 1300 | 1090 | 1180 | 590 | 6-∅50 | 552 | 802 | 1902 | 640 | 580 | 30 | 18 | 60 | 2200 X 1900 |
| 101 | 600WQ4000-18-280 | 600 | 685 | 780 | 725 | 20-∅30 | 3290 | 1280 | 960 | 600 | 1530 | 55 | 540 | 475 | 1210 | 1300 | 1090 | 1180 | 590 | 6-∅50 | 552 | 802 | 1902 | 640 | 580 | 30 | 18 | 60 | 2200 X 1900 |
| 102 | 600WQ4000-20-315 | 600 | 685 | 780 | 725 | 20-∅30 | 3290 | 1280 | 960 | 600 | 1530 | 55 | 540 | 475 | 1210 | 1300 | 1090 | 1180 | 590 | 6-∅50 | 552 | 802 | 1902 | 640 | 580 | 30 | 18 | 60 | 2200 X 1900 |

WQS Ponorné kalové čerpadlo

TABUĽKA ROZMEROV PEVNÉ MONTÁŽE PRE ČERPADLA TYPU WQS



| č | Typ | ø A | ø B | ø C | ø D | N2-øc | H | 0 | P | Q | L | ExE | FxF | N ₁ -øk | H ₁ | H ₄ | L ₁ | H ₂ | H ₃ | H ₄ |
|----|------------------|-----|-----|-----|-----|---------|------|-----|-----|-----|-----|---------|---------|--------------------|----------------|----------------|----------------|----------------|----------------|----------------|
| 1 | 80WQ50-35-11 | 80 | 128 | 190 | 150 | 4-ø17.5 | 880 | 212 | 205 | 219 | 350 | 520x520 | 600x600 | 4-ø25 | 300 | 450 | 350 | 280 | 120 | 550 |
| 2 | 80WQ50-40-15 | 80 | 128 | 190 | 150 | 4-ø17.5 | 880 | 212 | 205 | 219 | 350 | 520x520 | 600x600 | 4-ø25 | 300 | 450 | 350 | 280 | 120 | 550 |
| 3 | 100WQ80-24-11 | 100 | 148 | 210 | 170 | 4-ø17.5 | 890 | 205 | 194 | 216 | 350 | 520x520 | 600x600 | 4-ø25 | 300 | 450 | 350 | 280 | 150 | 550 |
| 4 | 100WQ80-32-15 | 100 | 148 | 210 | 170 | 4-ø17.5 | 890 | 205 | 194 | 216 | 350 | 520x520 | 600x600 | 4-ø25 | 300 | 450 | 350 | 280 | 150 | 550 |
| 5 | 100WQ80-36-18.5 | 100 | 148 | 210 | 170 | 4-ø17.5 | 1237 | 256 | 246 | 267 | 400 | 565x565 | 640x640 | 4-ø30 | 300 | 450 | 350 | 280 | 150 | 550 |
| 6 | 100WQ80-40-22 | 100 | 148 | 210 | 170 | 4-ø17.5 | 1237 | 256 | 246 | 267 | 400 | 565x565 | 640x640 | 4-ø30 | 300 | 450 | 350 | 280 | 150 | 550 |
| 7 | 150WQ150-15-11 | 150 | 202 | 265 | 225 | 8-ø17.5 | 900 | 228 | 203 | 254 | 350 | 520x520 | 600x600 | 4-ø25 | 320 | 470 | 350 | 350 | 200 | 680 |
| 8 | 150WQ150-20-15 | 150 | 202 | 265 | 225 | 8-ø17.5 | 900 | 228 | 203 | 254 | 350 | 520x520 | 600x600 | 4-ø25 | 320 | 470 | 350 | 350 | 200 | 680 |
| 9 | 150WQ150-25-18.5 | 150 | 202 | 265 | 225 | 8-ø17.5 | 1217 | 247 | 233 | 262 | 400 | 565x565 | 640x640 | 4-ø30 | 320 | 470 | 350 | 350 | 200 | 680 |
| 10 | 150WQ150-30-22 | 150 | 202 | 265 | 225 | 8-ø17.5 | 1217 | 247 | 233 | 262 | 400 | 565x565 | 640x640 | 4-ø30 | 320 | 470 | 350 | 350 | 200 | 680 |
| 11 | 150WQ150-40-30 | 150 | 202 | 265 | 225 | 8-ø17.5 | 1495 | 367 | 356 | 378 | 550 | 800x800 | 900x900 | 4-ø40 | 480 | 620 | 500 | 410 | 200 | 750 |
| 12 | 150WQ150-45-37 | 150 | 202 | 265 | 225 | 8-ø17.5 | 1495 | 367 | 356 | 378 | 550 | 800x800 | 900x900 | 4-ø40 | 480 | 620 | 500 | 410 | 200 | 750 |
| 13 | 150WQ150-50-45 | 150 | 202 | 265 | 225 | 8-ø17.5 | 1635 | 367 | 356 | 378 | 550 | 800x800 | 900x900 | 4-ø40 | 480 | 620 | 500 | 410 | 200 | 750 |
| 14 | 150WQ100-60-55 | 150 | 202 | 265 | 225 | 8-ø17.5 | 1635 | 367 | 356 | 378 | 550 | 800x800 | 900x900 | 4-ø40 | 480 | 620 | 500 | 410 | 200 | 750 |
| 15 | 200WQ300-7-11 | 200 | 260 | 320 | 280 | 8-ø17.5 | 920 | 254 | 212 | 295 | 400 | 520x520 | 600x600 | 4-ø25 | 330 | 500 | 350 | 400 | 250 | 820 |
| 16 | 200WQ300-10-15 | 200 | 260 | 320 | 280 | 8-ø17.5 | 920 | 254 | 212 | 295 | 400 | 520x520 | 600x600 | 4-ø25 | 330 | 500 | 350 | 400 | 250 | 820 |
| 17 | 200WQ300-13-18.5 | 200 | 260 | 320 | 280 | 8-ø17.5 | 1250 | 267 | 230 | 300 | 400 | 520x520 | 600x600 | 4-ø25 | 330 | 500 | 350 | 400 | 250 | 820 |
| 18 | 200WQ300-15-22 | 200 | 260 | 320 | 280 | 8-ø17.5 | 1250 | 267 | 230 | 300 | 400 | 520x520 | 600x600 | 4-ø25 | 330 | 500 | 350 | 400 | 250 | 820 |
| 19 | 200WQ300-20-30 | 200 | 260 | 320 | 280 | 8-ø17.5 | 1547 | 342 | 309 | 376 | 500 | 700x700 | 800x800 | 4-ø40 | 445 | 640 | 450 | 420 | 250 | 870 |
| 20 | 200WQ300-25-37 | 200 | 260 | 320 | 280 | 8-ø17.5 | 1547 | 342 | 309 | 376 | 500 | 700x700 | 800x800 | 4-ø40 | 445 | 640 | 450 | 420 | 250 | 870 |
| 21 | 200WQ400-27-45 | 200 | 260 | 320 | 280 | 8-ø17.5 | 1660 | 349 | 332 | 368 | 550 | 800x800 | 900x900 | 4-ø40 | 495 | 660 | 500 | 475 | 250 | 890 |
| 22 | 200WQ400-34-55 | 200 | 260 | 320 | 280 | 8-ø17.5 | 1660 | 349 | 332 | 368 | 550 | 800x800 | 900x900 | 4-ø40 | 495 | 660 | 500 | 475 | 250 | 890 |

WQS Ponorné kalové čerpadlo

■ TABUĽKA ROZMEROV PEVNÉ MONTÁŽE PRE ČERPADLA TYPU WQS

| č | Typ | ∅ A | ∅ B | ∅ C | ∅ D | N2-∅d | H | O | P | Q | L | ExE | FxF | N ₁ -∅k | H ₁ | H ₄ | L ₁ | H ₂ | H ₃ | H ₄ |
|----|-------------------|-----|-----|-----|-----|----------|------|-----|-----|-----|-----|-----------|-----------|--------------------|----------------|----------------|----------------|----------------|----------------|----------------|
| 23 | 200WQ400-40-75 | 200 | 260 | 320 | 280 | 8-∅17.5 | 1875 | 379 | 362 | 398 | 600 | 800x800 | 900x900 | 4-∅40 | 495 | 660 | 500 | 475 | 250 | 890 |
| 24 | 200WQ400-48-90 | 200 | 260 | 320 | 280 | 8-∅17.5 | 1875 | 379 | 362 | 398 | 600 | 800x800 | 900x900 | 4-∅40 | 495 | 660 | 500 | 475 | 250 | 890 |
| 25 | 250WQ400-7-15 | 250 | 312 | 375 | 335 | 12-∅17.5 | 920 | 254 | 212 | 295 | 400 | 520x520 | 600x600 | 4-∅25 | 330 | 500 | 350 | 425 | 300 | 895 |
| 26 | 250WQ400-10-18.5 | 250 | 312 | 375 | 335 | 12-∅17.5 | 1250 | 267 | 230 | 300 | 400 | 520x520 | 600x600 | 4-∅25 | 330 | 500 | 350 | 425 | 300 | 895 |
| 27 | 250WQ400-13-22 | 250 | 312 | 375 | 335 | 12-∅17.5 | 1250 | 267 | 230 | 300 | 400 | 520x520 | 600x600 | 4-∅25 | 330 | 500 | 350 | 425 | 300 | 895 |
| 28 | 250WQ500-10-30 | 250 | 312 | 375 | 335 | 12-∅17.5 | 1547 | 360 | 319 | 404 | 550 | 700x700 | 800x800 | 4-∅40 | 445 | 640 | 450 | 445 | 300 | 945 |
| 29 | 250WQ500-16-37 | 250 | 312 | 375 | 335 | 12-∅17.5 | 1547 | 360 | 319 | 404 | 550 | 700x700 | 800x800 | 4-∅40 | 445 | 640 | 450 | 445 | 300 | 945 |
| 30 | 250WQ500-20-45 | 250 | 312 | 375 | 335 | 12-∅17.5 | 1687 | 360 | 319 | 404 | 550 | 700x700 | 800x800 | 4-∅40 | 445 | 640 | 450 | 445 | 300 | 945 |
| 31 | 250WQ500-25-55 | 250 | 312 | 375 | 335 | 12-∅17.5 | 1687 | 360 | 319 | 404 | 550 | 700x700 | 800x800 | 4-∅40 | 445 | 640 | 450 | 445 | 300 | 945 |
| 32 | 250WQ600-28-75 | 250 | 312 | 375 | 335 | 12-∅17.5 | 1875 | 379 | 362 | 398 | 600 | 800x800 | 900x900 | 4-∅40 | 495 | 660 | 500 | 500 | 300 | 965 |
| 33 | 250WQ600-34-90 | 250 | 312 | 375 | 335 | 12-∅17.5 | 1875 | 379 | 362 | 398 | 600 | 800x800 | 900x900 | 4-∅40 | 495 | 660 | 500 | 500 | 300 | 965 |
| 34 | 250WQ600-40-110 | 250 | 312 | 375 | 335 | 12-∅17.5 | 1875 | 379 | 362 | 398 | 600 | 800x800 | 900x900 | 4-∅40 | 495 | 660 | 500 | 500 | 300 | 965 |
| 35 | 250WQ600-50-132 | 250 | 312 | 375 | 335 | 12-∅17.5 | 1875 | 379 | 362 | 398 | 600 | 800x800 | 900x900 | 4-∅40 | 495 | 660 | 500 | 500 | 300 | 965 |
| 36 | 300WQ600-6-18.5 | 300 | 365 | 440 | 395 | 12-∅22 | 1250 | 267 | 230 | 300 | 400 | 520x520 | 600x600 | 4-∅25 | 330 | 520 | 350 | 475 | 400 | 1045 |
| 37 | 300WQ600-7-22 | 300 | 365 | 440 | 395 | 12-∅22 | 1250 | 267 | 230 | 300 | 400 | 520x520 | 600x600 | 4-∅25 | 330 | 520 | 350 | 475 | 400 | 1045 |
| 38 | 300WQ700-11-30 | 300 | 365 | 440 | 395 | 12-∅22 | 1510 | 378 | 327 | 430 | 550 | 700x700 | 800x800 | 4-∅40 | 460 | 650 | 450 | 510 | 400 | 1100 |
| 39 | 300WQ700-14-37 | 300 | 365 | 440 | 395 | 12-∅22 | 1510 | 378 | 327 | 430 | 550 | 700x700 | 800x800 | 4-∅40 | 460 | 650 | 450 | 510 | 400 | 1100 |
| 40 | 300WQ700-16-45 | 300 | 365 | 440 | 395 | 12-∅22 | 1570 | 397 | 344 | 454 | 550 | 700x700 | 800x800 | 4-∅40 | 460 | 650 | 450 | 510 | 400 | 1100 |
| 41 | 300WQ700-19-55 | 300 | 365 | 440 | 395 | 12-∅22 | 1570 | 397 | 344 | 454 | 550 | 700x700 | 800x800 | 4-∅40 | 460 | 650 | 450 | 510 | 400 | 1100 |
| 42 | 300WQ1000-20-75 | 300 | 365 | 440 | 395 | 12-∅22 | 1890 | 424 | 384 | 464 | 700 | 1000x1000 | 1100x1100 | 4-∅50 | 580 | 700 | 600 | 510 | 400 | 1100 |
| 43 | 300WQ1000-24-90 | 300 | 365 | 440 | 395 | 12-∅22 | 1890 | 424 | 384 | 464 | 700 | 1000x1000 | 1100x1100 | 4-∅50 | 580 | 700 | 600 | 510 | 400 | 1100 |
| 44 | 300WQ1000-28-110 | 300 | 365 | 440 | 395 | 12-∅22 | 1890 | 424 | 384 | 464 | 700 | 1000x1000 | 1100x1100 | 4-∅50 | 580 | 700 | 600 | 510 | 400 | 1100 |
| 45 | 300WQ1000-35-132 | 300 | 365 | 440 | 395 | 12-∅22 | 1890 | 424 | 384 | 464 | 700 | 1000x1000 | 1100x1100 | 4-∅50 | 580 | 700 | 600 | 510 | 400 | 1100 |
| 46 | 350WQ1200-6-30 | 350 | 415 | 490 | 445 | 12-∅22 | 1012 | 434 | 363 | 499 | 600 | 1000x1000 | 1100x1100 | 4-∅50 | 655 | 800 | 600 | 625 | 450 | 1200 |
| 47 | 350WQ1200-8-37 | 350 | 415 | 490 | 445 | 12-∅22 | 1715 | 434 | 363 | 499 | 600 | 1000x1000 | 1100x1100 | 4-∅50 | 655 | 800 | 600 | 625 | 450 | 1200 |
| 48 | 3501NQ1100-10-45 | 350 | 415 | 490 | 445 | 12-∅22 | 1715 | 434 | 363 | 499 | 600 | 1000x1000 | 1100x1100 | 4-∅50 | 655 | 800 | 600 | 625 | 450 | 1200 |
| 49 | 350WQ1100-12-55 | 350 | 415 | 490 | 445 | 12-∅22 | 1715 | 434 | 363 | 499 | 600 | 1000x1000 | 1100x1100 | 4-∅50 | 655 | 800 | 600 | 625 | 450 | 1200 |
| 50 | 350WQ1100-16-75 | 350 | 415 | 490 | 445 | 12-∅22 | 1950 | 424 | 384 | 464 | 700 | 1000x1000 | 1100x1100 | 4-∅50 | 600 | 820 | 600 | 580 | 450 | 1220 |
| 51 | 350WQ1100-20-90 | 350 | 415 | 490 | 445 | 12-∅22 | 1950 | 424 | 384 | 464 | 700 | 1000x1000 | 1100x1100 | 4-∅50 | 600 | 820 | 600 | 580 | 450 | 1220 |
| 52 | 350WQ1100-25-110 | 350 | 415 | 490 | 445 | 12-∅22 | 1950 | 424 | 384 | 464 | 700 | 1000x1000 | 1100x1100 | 4-∅50 | 600 | 820 | 600 | 580 | 450 | 1220 |
| 53 | 350WQ1100-30-132 | 350 | 415 | 490 | 445 | 12-∅22 | 1950 | 424 | 384 | 464 | 700 | 1000x1000 | 1100x1100 | 4-∅50 | 600 | 820 | 600 | 580 | 450 | 1220 |
| 54 | 350WQ1100-36-160 | 350 | 415 | 490 | 445 | 12-∅22 | 2450 | 515 | 475 | 555 | 800 | 1000x1000 | 1100x1100 | 4-∅50 | 600 | 820 | 600 | 580 | 450 | 1220 |
| 55 | 400WQ1500-5-30 | 400 | 482 | 565 | 515 | 16-∅26 | 1612 | 459 | 377 | 533 | 650 | 1000x1000 | 1100x1100 | 4-∅50 | 690 | 800 | 600 | 710 | 500 | 1300 |
| 56 | 400WQ1500-5-37 | 400 | 482 | 565 | 515 | 16-∅26 | 1715 | 459 | 377 | 533 | 650 | 1000x1000 | 1100x1100 | 4-∅50 | 690 | 800 | 600 | 710 | 500 | 1300 |
| 57 | 400WQ1500-8-45 | 400 | 482 | 565 | 515 | 16-∅26 | 1715 | 459 | 377 | 533 | 650 | 1000x1000 | 1100x1100 | 4-∅50 | 690 | 800 | 600 | 710 | 500 | 1300 |
| 58 | 400WQ1500-10-55 | 400 | 482 | 565 | 515 | 16-∅26 | 1715 | 459 | 377 | 533 | 650 | 1000x1000 | 1100x1100 | 4-∅50 | 690 | 800 | 600 | 710 | 500 | 1300 |
| 59 | 400WQ1500-12-75 | 400 | 482 | 565 | 515 | 16-∅26 | 2000 | 424 | 384 | 464 | 700 | 1000x1000 | 1100x1100 | 4-∅50 | 610 | 820 | 600 | 630 | 500 | 1300 |
| 60 | 400WQ1500-15-90 | 400 | 482 | 565 | 515 | 16-∅26 | 2000 | 424 | 384 | 464 | 700 | 1000x1000 | 1100x1100 | 4-∅50 | 610 | 820 | 600 | 630 | 500 | 1300 |
| 61 | 400WQ1500-18-110 | 400 | 482 | 565 | 515 | 16-∅26 | 2000 | 424 | 384 | 464 | 700 | 1000x1000 | 1100x1100 | 4-∅50 | 610 | 820 | 600 | 630 | 500 | 1300 |
| 62 | 400WQ1500-22-132 | 400 | 482 | 565 | 515 | 16-∅25 | 2000 | 424 | 384 | 464 | 700 | 1000x1000 | 1100x1100 | 4-∅50 | 610 | 820 | 600 | 630 | 500 | 1300 |
| 63 | 400WQ2000-20-160 | 400 | 482 | 565 | 515 | 16-∅26 | 2350 | 545 | 475 | 615 | 800 | 1000x1000 | 1100x1100 | 4-∅50 | 610 | 850 | 600 | 630 | 500 | 1330 |
| 64 | 400UUQ2000-23-185 | 400 | 482 | 565 | 515 | 16-∅26 | 2350 | 545 | 475 | 615 | 800 | 1000x1000 | 1100x1100 | 4-∅50 | 610 | 850 | 600 | 630 | 500 | 1330 |

WQS Ponorné kalové čerpadlo

| č | Typ | ∅ A | ∅ B | ∅ C | ∅ D | N2-∅d | H | 0 | P | Q | L | ExE | FxF | N ₁ -∅k | H ₁ | H ₄ | L ₁ | H ₂ | H ₃ | H ₄ |
|----|-------------------|--------|--------|--------|--------|--------|------|-----|-----|-----|------|-----------|-----------|--------------------|----------------|----------------|----------------|----------------|----------------|----------------|
| 65 | 400WQ2000-25-200 | 400 | 482 | 565 | 515 | 16-∅26 | 2350 | 545 | 475 | 615 | 800 | 1100x1100 | 1200x1200 | 4-∅50 | 610 | 850 | 600 | 630 | 500 | 1330 |
| 65 | 400WQ2000-28-220 | 400 | 482 | 565 | 515 | 16-∅26 | 2620 | 620 | 535 | 690 | 900 | 1100x1100 | 1200x1200 | 4-∅50 | 710 | 950 | 650 | 630 | 500 | 1330 |
| 67 | 400VUQ2000-32-250 | 400 | 482 | 565 | 515 | 16-∅26 | 2620 | 620 | 535 | 690 | 900 | 1100x1100 | 1200x1200 | 4-∅50 | 710 | 950 | 650 | 630 | 500 | 1330 |
| 68 | 400WQ2000-36-280 | 400 | 482 | 565 | 515 | 16-∅26 | 2620 | 620 | 535 | 690 | 900 | 1100x1100 | 1200x1200 | 4-∅50 | 710 | 950 | 650 | 630 | 500 | 1330 |
| 69 | 450WQ2200-10-90 | 450 | 532 | 615 | 565 | 20-∅26 | 2005 | 491 | 399 | 574 | 700 | 1000x1000 | 1100x1100 | 4-∅50 | 695 | 950 | 600 | 620 | 550 | 1400 |
| 70 | 450WQ2200-12-110 | 450 | 532 | 615 | 565 | 20-∅26 | 2005 | 491 | 399 | 574 | 700 | 1000x1000 | 1100x1100 | 4-∅50 | 695 | 950 | 600 | 620 | 550 | 1400 |
| 71 | 450WQ2200-15-132 | 450 | 532 | 615 | 565 | 20-∅26 | 2005 | 491 | 399 | 574 | 700 | 1000x1000 | 1100x1100 | 4-∅50 | 695 | 950 | 600 | 620 | 550 | 1400 |
| 72 | 500WQ2000-7-55 | 500 | 585 | 670 | 620 | 20-∅26 | 2010 | 705 | 575 | 815 | 1000 | 1100x1100 | 1200x1200 | 4-∅50 | 780 | 1100 | 650 | 750 | 600 | 1750 |
| 73 | 500WQ2200-8-75 | 500 | 585 | 670 | 620 | 20-∅26 | 2010 | 705 | 575 | 815 | 1000 | 1100x1100 | 1200x1200 | 4-∅50 | 780 | 1100 | 650 | 750 | 600 | 1750 |
| 74 | 500WQ3000-11-132 | 500 | 585 | 670 | 620 | 20-∅26 | 2450 | 705 | 575 | 815 | 1000 | 1100x1100 | 1200x1200 | 4-∅50 | 780 | 1100 | 650 | 750 | 600 | 1750 |
| 75 | 500WQ3000-13-160 | 500 | 585 | 670 | 620 | 20-∅26 | 2450 | 705 | 575 | 815 | 1000 | 1100x1100 | 1200x1200 | 4-∅50 | 780 | 1100 | 650 | 750 | 600 | 1750 |
| 76 | 500WQ3000-15-185 | 500 | 585 | 670 | 620 | 20-∅26 | 2450 | 705 | 575 | 815 | 1000 | 1100x1100 | 1200x1200 | 4-∅50 | 780 | 1100 | 650 | 750 | 600 | 1750 |
| 77 | 500WQ3000-16-200 | 500 | 585 | 670 | 620 | 20-∅26 | 2450 | 705 | 575 | 815 | 1000 | 1100x1100 | 1200x1200 | 4-∅50 | 780 | 1100 | 650 | 750 | 600 | 1750 |
| 78 | 500WQ3000-18-220 | 500 | 585 | 670 | 620 | 20-∅26 | 2730 | 645 | 555 | 740 | 1000 | 1100x1100 | 1200x1200 | 4-∅50 | 780 | 1100 | 650 | 750 | 600 | 1750 |
| 79 | 500WQ3000-21-250 | 500 | 585 | 670 | 820 | 20-∅26 | 2730 | 645 | 555 | 740 | 1000 | 1100x1100 | 1200x1200 | 4-∅50 | 780 | 1100 | 650 | 750 | 600 | 1750 |
| 80 | 500WQ3000-24-280 | 500 | 585 | 670 | 620 | 20-∅26 | 2730 | 645 | 555 | 740 | 1000 | 1100x1100 | 1200x1200 | 4-∅50 | 780 | 1100 | 650 | 750 | 600 | 1750 |
| 81 | 600WQ2500-5-55 | 600 | 685 | 780 | 725 | 20-∅30 | 2010 | 705 | 575 | 815 | 1000 | 1100x1100 | 1200x1200 | 4-∅50 | 830 | 1200 | 650 | 850 | 750 | 1900 |
| 82 | 600WQ2500-7-75 | 600 | 685 | 780 | 725 | 20-∅30 | 2010 | 705 | 575 | 815 | 1000 | 1100x1100 | 1200x1200 | 4-∅50 | 830 | 1200 | 650 | 850 | 750 | 1900 |
| 83 | 600WQ2500-9-90 | 600 | 685 | 780 | 725 | 20-∅30 | 2010 | 705 | 575 | 815 | 1000 | 1100x1100 | 1200x1200 | 4-∅50 | 830 | 1200 | 650 | 850 | 750 | 1900 |
| 84 | 600WQ3000-8-110 | 600 | 685 | 780 | 725 | 20-∅30 | 2450 | 705 | 575 | 815 | 1000 | 1100x1100 | 1200x1200 | 4-∅50 | 830 | 1200 | 650 | 850 | 750 | 1900 |
| 85 | 600WQ3000-10-132 | 600 | 685 | 780 | 725 | 20-∅30 | 2450 | 705 | 575 | 815 | 1000 | 1100x1100 | 1200x1200 | 4-∅50 | 830 | 1200 | 650 | 850 | 750 | 1900 |
| 86 | 600WQ4000-10-160 | 600 | 685 | 780 | 725 | 20-∅30 | 2520 | 705 | 575 | 815 | 1000 | 1100x1100 | 1200x1200 | 4-∅50 | 830 | 1200 | 650 | 850 | 750 | 1900 |
| 87 | 600WQ4000-11-185 | 600 | 685 | 780 | 725 | 20-∅30 | 2520 | 705 | 575 | 815 | 1000 | 1100x1100 | 1200x1200 | 4-∅50 | 830 | 1200 | 650 | 850 | 750 | 1900 |
| 88 | 600WQ4000-12-200 | 800 | 685 | 780 | 725 | 20-∅30 | 2520 | 705 | 575 | 815 | 1000 | 1100x1100 | 1200x1200 | 4-∅50 | 830 | 1200 | 650 | 850 | 750 | 1900 |
| 89 | 600WQ4000-14-220 | 600 | 685 | 780 | 725 | 20-∅30 | 2780 | 682 | 552 | 802 | 900 | 1100x1100 | 1200x1200 | 4-∅50 | 905 | 1200 | 650 | 875 | 750 | 1880 |
| 90 | 600WQ4000-16-250 | 600 | 685 | 780 | 725 | 20-∅30 | 2780 | 682 | 552 | 802 | 900 | 1100x1100 | 1200x1200 | 4-∅50 | 905 | 1200 | 650 | 875 | 750 | 1880 |
| 91 | 600WQ4000-18-280 | 600 | 685 | 780 | 725 | 20-∅30 | 2780 | 682 | 552 | 802 | 900 | 1100x1100 | 1200x1200 | 4-∅50 | 905 | 1200 | 650 | 875 | 750 | 1880 |
| 92 | 600WQ4000-20-315 | 600 | 685 | 780 | 725 | 20-∅30 | 2780 | 682 | 552 | 802 | 900 | 1100x1100 | 1200x1200 | 4-∅50 | 905 | 1200 | 650 | 875 | 750 | 1880 |

WQS Ponorné čerpadlo

■ POUŽITÍ, KONTROLA A SERVIS

1. Bezpečnostní opatření při provozu

Není vhodné používat čerpadlo v prostředí takových tekutin, které mohou snadno explodovat nebo jsou snadno hořlavé, nebo čerpat jakékoliv hořlavé látky.

Je přísně zakázáno vystavovat kabel nárazům, stlačovat ho, nebo používat kabel ke zdvihání čerpadla místo lana, případně za lano tahat za chodu čerpadla, neboť by mohlo dojít k jeho poškození, mohlo by dojít k úrazu elektrickým proudem, mohla by se narušit vodotěsnost kabelu, případně by se mohly narušit izolační vlastnosti elektrické instalační krabice motoru.

V případě použití instalace čerpadla s automatickým spojením, zvedejte a spouštějte čerpadlo pomocí zvedacího řetězu připevněného k okům a opatrně s čerpadlem manipulujte.

Pokud je čerpadlo umístěno ve vodě, musí být zvedáno svisle a nesmí být pokládáno vodorovně, nesmí rovněž klesnout do kalu.

Výpustní potrubí musí být opatřeno ventilem regulujícím průtok, aby se zabránilo přetížení motoru v případě silných průtoků.

2. Provedení kontroly před použitím

Pečlivě zkontrolujte, zda není čerpadlo poškozeno nebo zdeformováno a zda při přepravě, skladování a instalaci nedošlo k povolení nebo ztrátě upevňujících prvků.

Zkontrolujte, zda není kabel poškozen nebo přerušen, zda není těsnění na kabelu porušeno a v případě zjištění jakékoliv netěsnosti nebo špatného těsnění zjednejte včasnou opravu.

Změřte izolační odpor mezi fázemi a mezi fází a zemí pomocí 500V mega ohmového měřícího přístroje, přičemž naměřené hodnoty nesmí být menší než 2 megaohmy. V opačném případě musí být provedeno vysušení vinutí statoru čerpadla za teploty nepřesahující 120°C, nebo kontaktujte výrobce pro poskytnutí odborné pomoci.

Zkontrolujte, zda je v olejové nádrži olej. V případě potřeby olej doplňte a nepřestávejte dolévat, dokud olej nezačne přetékat přes plnicí otvor.

Zkontrolujte, zda je otvor pro plnění oleje opatřen šroubem s podložkou a zda je šroub řádně dotažen.

Zkontrolujte, zda se oběžné kolo volně otáčí.

Zkontrolujte, zda je přívod elektrické energie bezpečný, spolehlivý a řádně provedený a zda je zemnicí vodič uvnitř kabelu správně uzemněn.

Před umístěním čerpadla do nádrže zkontrolujte, zda se čerpadlo otáčí správným směrem. Kontrolu provedete krátkým zapnutím a vypnutím čerpadla, v případě, že se čerpadlo neotáčí správným směrem, proveďte záměnu dvou ze tří vodičů U, V, W.

3. Spuštění

Při spuštění nejprve uzavřete na výpustním potrubí ventil regulující průtok. Jakmile se čerpadlo dostane do pracovních otáček, ventil plynule otevřete. Pozor, čerpadlo nemůže být dlouhodobě provozováno při uzavřeném regulačním ventilu.

4. Zastavení

Pokud předpokládáte, že čerpadlo nebudete používat po dobu delší než polovina měsíce, čerpadlo vyzvedněte z nádrže, očistěte ho a umístěte na suchém místě. Pokud teplota klesne k velmi nízkým hodnotám, čerpadlo vyzdvihněte a nechte z něj vytéci vodu, aby se tak zabránilo zamrznutí čerpadla.

5. Pravidelně kontrolujte

Izolační odpor mezi fázemi a mezi fází a zemí, hodnota by neměla být nižší než 2 megaohmy. V opačném případě musí být čerpadlo vyjmuta a dáno ke generální opravě. Zároveň zkontrolujte, zda je uzemnění spolehlivé a bezpečně provedeno.

Pokud mezera u těsnícího kroužku, umístěného mezi hrdlem oběžného kola a skříní čerpadla, přesáhne 2 mm, proveďte výměnu těsnícího kroužku za nový.

Po půl roce provozu čerpadla, při dodržení příslušných podmínek kladených na pracovní médium, zkontrolujte stav olejové nádrže. Pokud olej vykazuje emulgovaný stav, proveďte jeho výměnu olejem N10. Po krátkém provozu čerpadla, u kterého byla provedena výměna oleje, mohlo dojít k poškození mechanického těsnění, přičemž čidlo sledující průsak vody vydá varovný signál. Proveďte okamžitou výměnu těsnění. Pokud čerpadlo pracuje ve velmi těžkých podmínkách, provádějte jeho kontrolu častěji.

Po roce provozu čerpadla za normálních provozních podmínek musí být provedena generální servisní oprava, při které budou vyměněny opotřebované díly, zkontrolovány spoje a doplněna nebo nahrazena maziva v ložiskách, čímž bude zajištěno správné mazání čerpadla za provozu.

Při demontáži do čerpadla nebuďte, předejete tak poškození těsnění. Nedovolte, aby demontáž prováděly osoby, které nemají příslušné odborné znalosti a nedošlo tak ke vzniku netěsností nebo poškození motoru.

■ PŘÍČINY PORUCH A JEJICH ODSTRANĚNÍ

| Porucha | Příčina | Odstranění |
|---|--|--|
| 1. Nedostatečný průtok vody, nebo žádný průtok vody z výstupu | a) Nesprávný směr otáčení oběžného kola. b) Ucpané hrdlo oběžného kola c) Příliš vysoká hustota přečerpávaného média d) Příliš vysoká tlaková výška] Značné opotřebované oběžné kolo | a) Nastavte směr otáčení b) Odstraňte cizí předměty c) Zředte tekutinu vodou d) Zvolte jiný typ čerpadla nebo snižte tlakovou výšku] Vyměňte oběžné kolo |
| 2. Čerpadlo nelze spustit | a) Není připojena fáze b) Zablokované oběžné kolo c) Přerušeni obvodu vinutí nebo kabelu d) Spálené statorové vinutí] Závada na elektrickém ovládání | a) Zkontrolujte elektrický obruh b) Odstraňte cizí předměty c) Proměřte ohmmetrem a opravte d) Vinutí vyměňte nebo opravte] Zkontrolujte ovládací skřínku a vyměňte vadné součástky |
| 3. Spálené statorové vinutí | a) Čerpadlo běželo bez fáze b) Příliš vysoká hustota čerpaného média c) Oběžné kolo zablokováno nebo se uvolnilo d) Voda pronikla poškozeným těsněním do motoru e) Uvolněné spoje umožnily průnik vody do motoru | Po opravě nutno před dalším použitím provést následující body: a) Zkontrolovat elektrické obvody a odstranit závady b) Zředit tekutinu vodou c) Odstranit nečistoty, utáhnout šrouby na oběžném kole d) Vyměnit mechanické těsnění nebo O-kroužek] Na každém díle utáhnout spojovací prvky |
| 4. Příliš vysoký proud | a) Ucpané hrdlo oběžného kola b) Příliš vysoká hustota nebo viskozita čerpaného média c) Příliš vysoký průtok | a) Vyčistěte hrdlo a oběžné kolo b) Změňte hustotu nebo viskozitu média c) Uzavřete mírně výstupní ventil a snižte tak průtok |