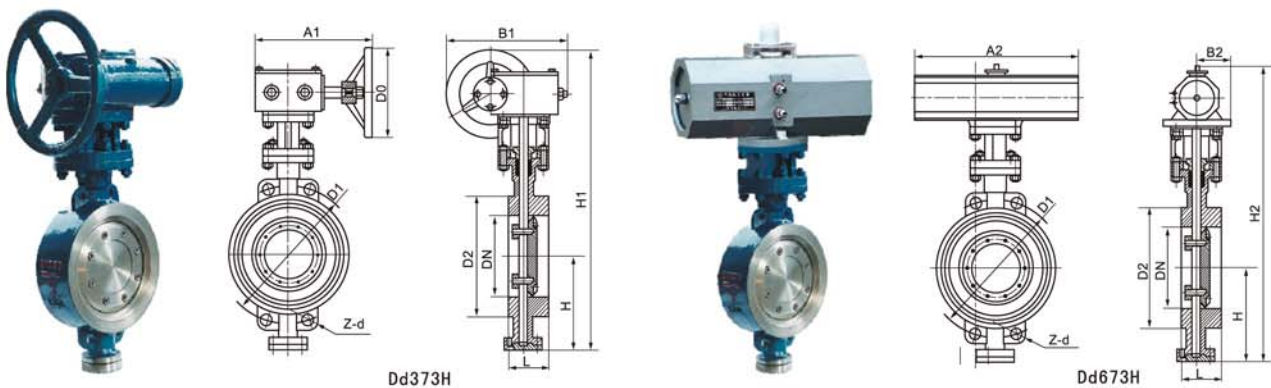


## Three-eccentric multiple layers metallic hard sealing butterfly valve

<sup>3</sup><sub>9</sub> Dd673H-<sup>6</sup><sub>10</sub> C.P.R.V  
<sup>10</sup><sub>25</sub>  
40

### Wafer type multiple layers metallic hard sealing butterfly valve



<sup>3</sup><sub>9</sub> Dd673H-<sup>6</sup><sub>10</sub> C.P.R.V

### Wafer type multiple layers metallic hard sealing butterfly valve

DN Nominal diameter		Structure length (standard) L	External dimension (consult)										Connection dimension (standard)				Dt343H (kg)
Mm	Inch		H	Dd373H			Dd673H			Dd973H			PN0.6MPa		PN1.0MPa		
				H1	A1	B1	H2	A2	B2	H3	A3	B3	D1	Z-d	D1	Z-d	
50	2	43	112	350	180	200	625	245	72	530	250	255	110	4-14	125	4-18	12
65	2 1/2	46	115	370	180	200	625	245	72	530	250	255	130	4-14	145	4-18	13
80	3	64	120	380	180	200	645	245	72	565	250	255	150	4-18	160	8-18	15
100	4	64	138	420	180	200	675	355	92	600	250	255	170	4-18	180	8-18	17
125	5	70	164	460	180	200	715	355	92	640	250	255	200	8-18	210	8-18	27
150	6	76	175	555	270	280	800	355	92	705	300	315	225	8-18	240	8-22	29
200	8	89	215	780	400	425	850	250	170	775	300	315	280	8-18	295	8-22	45
250	10	114	243	840	400	425	925	250	170	945	300	315	335	12-18	350	12-22	69
300	12	114	285	995	450	560	1035	450	220	1070	300	315	395	12-22	400	12-22	86
350	14	127	320	1050	450	560	1070	450	220	1140	300	315	445	12-22	460	16-22	122
400	16	140	350	1220	535	580	1190	450	220	1210	300	315	495	16-22	515	16-26	141
450	18	152	350	1280	535	580	1250	650	280	1335	575	714	550	16-22	565	20-26	191
500	20	152	380	1365	535	580	1290	650	280	1415	575	714	600	20-22	620	20-26	260
600	24	154	435	1460	570	660	1455	850	380	1605	656	810	705	20-26	725	20-30	380
700	28	165	480	1520	750	550	1585	850	380	1844	656	810	810	24-26	840	24-30	450
800	32	190	530	1710	750	550	1700	1250	380	2040	656	810	920	24-30	950	24-33	650
900	36	203	595	1810	750	550	1965	1250	380	2255	785	863	1020	24-30	1050	28-33	830
1000	40	216	650	1900	900	750	2015	1250	380	2380	785	863	1120	28-30	1160	28-36	1050
1200	48	254	775	2280	1000	925	2250	1250	380	2640	785	863	1340	32-33	1380	32-39	1400
1400	56	279	870	2450	1000	925				2886			1560	36-36	1590	36-42	1900
1600	64	318	1000	2730	1000	925				3156			1760	40-36	1820	40-48	2900
1800	72	356	1110	3020	1100	980				3421			1970	44-39	2020	44-48	4000
2000	80	406	1250	3270	1100	980				3685			2180	48-42	2230	48-48	5300

Annotate: Dd-Expresses the structure of multilayer seal