

Metallic elastic hard sealing butterfly valve

Dt⁴₇ 3^H_F -16C.P.R.V
25

Lever metallic elastic hard sealing, PTFE sealing eccentric butterfly valve

Property specification

Purpose and characteristic

This kind of butterfly valve is widely utilized in foodstuff, pharmacy, chemical industry etc. and industrial environmental protection, water treatment, high building, water supply and draintubing line open or close or adjusting medium.

Adoption standard

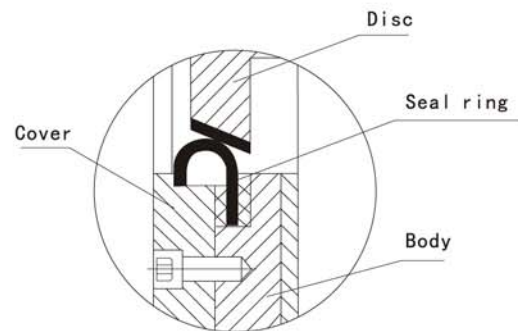
Design standard: API609

Flange connection dimension:

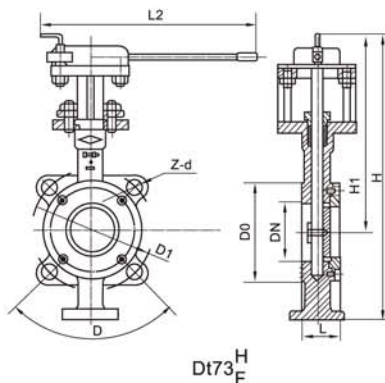
DIN2531、2532、2543、2544、2545、2546

Structure length: DIN3202

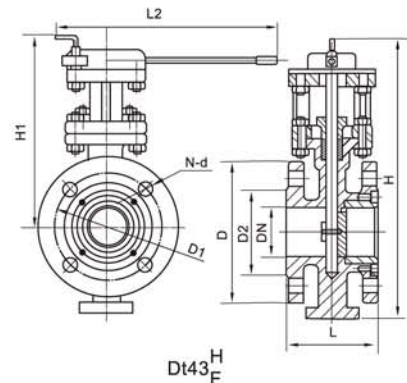
Pressure test: API598



Metal-metal seat structure



Dt73^H_F



Dt43^H_F

Main technology parameter

Nominal diameter	DN (mm)	50~150		
Nominal pressure	PN (MPa)	1.0	1.6	2.5
Ps (MPa) Test pressure	Shell test	1.5	2.4	3.75
	Seal test	1.1	1.76	2.75
	Gas seal test	0.6	0.6	0.6
Appropriate medium	Water, steam, oil, acid corrosive and so on. -40°C~600°C			
Appropriate temperature				

Material for main parts

Parts name	Material
Body	Cast iron, cast steel, stainless steel, Cr. Mo. Steel, alloy steel
Disc	Cast steel, Alloy steel, stainless steel, Cr. Mo. Steel
Seal ring	Stainless steel, polyester lactone, resist grind material
Stem	2Cr13、1Cr13 Stainless steel, Cr. Mo. Steel
Packing	Flexible graphite

Annotate: Dt-Expresses the structure of spring seal

Metallic elastic hard sealing butterfly valve

Dt73^H_F -16C.P.R.V
10
25

Wafer type elastic hard sealing,PTFE sealing butterfly valve

DN Nominal diameter		Structure length (standard)	External dimension (consult)			Flange dimension and bolted bore dimension (consult)									(kg)
						1. 0MPa			1. 6MPa			2. 5MPa			
mm	inch	L	L2	H	H1	D1	Z-d	a	D1	Z-d	a	D1	Z-d	a	
50	2	43	265	330	250	125	4-18	90°	125	4-18	90°	125	4-18	90°	8
65	2 1/2	46	265	362	267	145	4-18	90°	145	4-18	90°	145	4-18	90°	9
80	3	49	320	375	275	160	8-18	45°	160	8-18	45°	160	8-18	45°	11
100	4	56	320	410	295	180	8-18	45°	180	8-18	45°	190	8-22	45°	13
125	5	64	340	425	305	210	8-18	45°	210	8-18	45°	220	8-26	45°	22
150	6	70	390	465	320	240	8-22	45°	240	8-22	45°	250	8-26	45°	24

Dt43^H_F -16C.P.R.V
10
25

Flange type elastic hard sealing,PTFE sealing butterfly valve

Nominal diameter		Structure length (standard)	External dimension (consult)			Flange dimension and bolted bore dimension (consult)												(kg)
						1. 0MPa				1. 6MPa				2. 5MPa				
mm	inch	L	L2	H	H1	D	D1	D2	n-d	D	D1	D2	n-d	D	D1	D2	n-d	
50	2	108	265	325	240	165	125	99	4-18	165	125	99	4-18	165	125	99	4-18	14
65	2 1/2	112	265	340	250	185	145	118	4-18	185	145	118	4-18	185	145	118	4-18	17
80	3	114	320	355	255	200	160	132	8-18	200	160	132	8-18	200	160	132	8-18	20
100	4	127	320	400	275	220	180	156	8-18	220	180	156	8-18	235	190	156	8-22	22
125	5	140	340	435	300	250	210	184	8-18	250	210	184	8-18	270	220	184	8-26	37
150	6	140	390	455	310	285	240	211	8-22	285	240	211	8-22	300	250	211	8-26	43